

SCIENTIFIC DATA

OPEN

Data Descriptor: Collocated observations of cloud condensation nuclei, particle size distributions, and chemical composition

Received: 28 September 2016

Accepted: 9 December 2016

Published: 14 March 2017

Julia Schmale¹, Silvia Henning², Bas Henzing³, Helmi Keskinen^{4,5}, Karine Sellegri⁶, Jurgita Ovadnevaite⁷, Aikaterini Bougiatioti^{8,9}, Nikos Kalivitis^{8,9}, Iasonas Stavroulas^{8,9}, Anne Jefferson¹⁰, Minsu Park¹¹, Patrick Schlag^{12,13}, Adam Kristensson¹⁴, Yoko Iwamoto^{15,16}, Kirsty Pringle¹⁷, Carly Reddington¹⁷, Pasi Aalto⁴, Mikko Äijälä⁴, Urs Baltensperger¹, Jakub Bialek⁷, Wolfram Birmili^{2,18}, Nicolas Bukowiecki¹, Mikael Ehn⁴, Ann Mari Fjæraa¹⁹, Markus Fiebig¹⁹, Göran Frank¹⁴, Roman Fröhlich¹, Arnoud Frumau²⁰, Masaki Furuya¹⁵, Emanuel Hammer^{1,21}, Liine Heikkinen⁴, Erik Herrmann¹, Rupert Holzinger¹², Hiroyuki Hyono¹⁵, Maria Kanakidou⁸, Astrid Kiendler-Scharr¹³, Kento Kinouchi¹⁵, Gerard Kos²⁰, Markku Kulmala⁴, Nikolaos Mihalopoulos^{8,9}, Ghislain Motos¹, Athanasios Nenes^{9,22,23,24}, Colin O'Dowd⁷, Mikhail Paramonov^{4,25}, Tuukka Petäjä⁴, David Picard⁶, Laurent Poulain², André Stephan Henry Prévôt¹, Jay Slowik¹, Andre Sonntag², Erik Swietlicki¹⁴, Birgitta Svenningsson¹⁴, Hiroshi Tsurumaru¹⁵, Alfred Wiedensohler², Cerina Wittbom¹⁴, John A. Ogren¹⁰, Atsushi Matsuki¹⁵, Seong Soo Yum¹¹, Cathrine Lund Myhre¹⁹, Ken Carslaw¹⁶, Frank Stratmann² & Martin Gysel¹

Cloud condensation nuclei (CCN) number concentrations alongside with submicrometer particle number size distributions and particle chemical composition have been measured at atmospheric observatories of the Aerosols, Clouds, and Trace gases Research InfraStructure (ACTRIS) as well as other international sites over multiple years. Here, harmonized data records from 11 observatories are summarized, spanning 98,677 instrument hours for CCN data, 157,880 for particle number size distributions, and 70,817 for chemical composition data. The observatories represent nine different environments, e.g., Arctic, Atlantic, Pacific and Mediterranean maritime, boreal forest, or high alpine atmospheric conditions. This is a unique collection of aerosol particle properties most relevant for studying aerosol-cloud interactions which constitute the largest uncertainty in anthropogenic radiative forcing of the climate. The dataset is appropriate for comprehensive aerosol characterization (e.g., closure studies of CCN), model-measurement intercomparison and satellite retrieval method evaluation, among others. Data have been acquired and processed following international recommendations for quality assurance and have undergone multiple stages of quality assessment.

¹Laboratory of Atmospheric Chemistry, Paul Scherrer Institute, Villigen 5232, Switzerland. ²Experimental Aerosol & Cloud Microphysics, Leibniz Institute for Tropospheric Research, Permoserstrasse 15, Leipzig 04318, Germany. ³Netherlands Organisation for Applied Scientific Research, Princetonlaan 6, Utrecht 3584, The Netherlands. ⁴Department of Physics, University of Helsinki, Gustaf Hällströmin katu 2, Helsinki 00014, Finland. ⁵Hyttiälä Forestry Field Station, Hyttiäläntie 124, Korkeakoski 35500, Finland. ⁶Laboratoire de Météorologie Physique, 4 Avenue Blaise Pascal, Aubiere, Cedex 63178, France. ⁷School of Physics and CCAPS, National University of Ireland Galway, University Road, Galway, Ireland. ⁸ECPL, Department of Chemistry, University of Crete, Voutes, Heraklion 71003, Greece. ⁹IERSD, National Observatory of Athens, P. Penteli, Athens 15236, Greece. ¹⁰Cooperative Institute for Research in the Environmental Sciences, University of Colorado, Boulder, Colorado 80309, USA. ¹¹Department of Atmospheric Science, Yonsei University, Seoul 03722, South Korea. ¹²Institute for Marine and Atmospheric Research, University of Utrecht, Utrecht 3508 TC, The Netherlands. ¹³Institute for Energy and Climate Research (IEK-8): Troposphere, Forschungszentrum Jülich, Jülich 52425, Germany. ¹⁴Department of Physics, Lund University, Lund 221 00, Sweden. ¹⁵Institute of Nature and Environmental Technology, Kanazawa University, Kakuma-machi, Kanazawa 920-1192, Japan. ¹⁶Faculty of Science Division I, Department of Physics, Tokyo University of Science, 1-3 Kagurazaka, Shinjuku-ku, Tokyo 162-8601, Japan. ¹⁷School of Earth and Environment, University of Leeds, Leeds LS2 9JT, UK. ¹⁸Federal Environment Agency, Corrensplatz 1, Berlin 14195, Germany. ¹⁹NILU -Norwegian Institute for Air Research, Instituttveien 18, Kjeller 2007, Norway. ²⁰Energy Research Center of the Netherlands, Petten 1755 ZG, The Netherlands. ²¹Grolimund+Partner AG, Thunstrasse 101a, Bern 3006, Switzerland. ²²School of Chemical & Biomolecular Engineering, Georgia Institute of Technology, Atlanta, Georgia 30332, USA. ²³Foundation for Research and Technology - Hellas, Heraklion, Crete GR 700 13, Greece. ²⁴School of Earth and Atmospheric Sciences, Georgia Institute of Technology, Atlanta GA 30332, USA. ²⁵Institute for Atmospheric and Climate Science, Federal Institute of Technology, Universitätsstrasse 16, Zurich 8092, Switzerland. Correspondence and requests for materials should be addressed to J.S. (email: julia.schmale@gmail.com) or to M.G. (email: martin.gysel@psi.ch).

| | |
|---------------------------------|---|
| Design Type(s) | observation design • data integration objective • time series design |
| Measurement Type(s) | aerosol |
| Technology Type(s) | cloud condensation nuclei counter • scanning mobility particle sizer • quadrupole time-of-flight mass spectrometry |
| Factor Type(s) | environmental condition |
| Sample Characteristic(s) | State of Alaska • marine biome • The Netherlands • rural area • Greece • sea coast • Switzerland • alpine • Germany • continental shelf • Republic of Ireland • Japan • French Republic • South Korea • urban biome • Finland • subpolar coniferous forest biome • Sweden |

Background & Summary

Cloud condensation nuclei (CCN) are the subset of aerosol particles able to form cloud droplets. They influence cloud microstructure and precipitation processes, which in turn affect the radiative properties of clouds, atmospheric circulation and thermodynamics, as well as radiative budgets¹. This has implications at various scales. In terms of radiative forcing, aerosol-cloud interactions are the least understood anthropogenic influence on climate². The uncertainty in aerosol-induced radiative forcing of $\pm 0.70 \text{ W m}^{-2}$ (from a mean of -0.55 W m^{-2}) is twice the uncertainty for CO_2 (± 0.35 , mean $+1.68 \text{ W m}^{-2}$). At the regional scale, aerosol-cloud interactions can change radiation and precipitation processes^{2,3}. Reducing the large uncertainty in aerosol effects is a major challenge in increasing confidence in global and regional climate change projections^{2,4,5}.

Key to uncertainty reduction is a better understanding of both large-scale/long-term and regional scale/short-term aerosol properties including their number concentration, number size distribution, chemical composition and ability to form cloud droplets. While proxies of these variables are observed by satellites, the resolution is too coarse for studying aerosol-cloud interactions, making numerous in-situ measurements necessary^{1,6}. Many short-term datasets from intensive field measurements are available^{7–10} that enhance our process understanding but often provide a patchy and skewed picture of aerosol characteristics as such efforts are designed to explore particular ambient conditions at varying locations. Collocated long-term observations of CCN activity, particle number size distribution and chemical composition are sparse, especially in the vertical dimension^{8,11,12}. To evaluate models' performances against measurements in order to improve climate projections, observationally derived long-term regionally representative aerosol properties are indispensable.

Quality assured long-term and regionally-representative datasets acquisition requires that the following criteria be met: (i) an infrastructure consisting of several observing locations that are representative of a variety of environments; (ii) harmonized aerosol measurement techniques following standard operation procedures, and ideally with instruments regularly calibrated at certified calibration centers for quality assurance; (iii) harmonized quality assessment for data; and, (iv) concurrent measurements of sufficient types of aerosol properties to resolve aerosol-cloud processes. Particle number concentrations alone do not constrain cloud condensation nuclei concentrations because unresolved variations in their size, hygroscopicity and mixing state (which is a function of their chemical composition) introduce important uncertainty in predicted CCN number concentration^{13,14}. It is the combination of measured variables that makes datasets useful to study aerosol-cloud interactions.

At the European level, the Aerosols, Clouds, and Trace gases Research InfraStructure (ACTRIS), among other objectives, aims at increasing the 'availability of long-term observational data relevant to climate and air quality research on the regional scale produced with standardized or comparable procedures' (<http://www.actris.eu/>). ACTRIS' particular focus on the comprehensive characterization of aerosol particles makes it the largest network of long-term ground based stations of collocated observations of CCN, particle number size distributions and online particle chemical composition. Complementary networks, such as the Atmospheric Radiation Measurement Program (ARM, <http://dis.arm.gov/sites>), the World Meteorological Organization's Global Atmosphere Watch (WMO-GAW, <https://gawswis.meteoswiss.ch/GAWSIS/index.html#/>), and individual initiatives are covering other regions of the world.

Here, we present a harmonized dataset of CCN number concentrations and particle number size distributions for 11 stations, and particle chemical composition for a subset of these stations. Available data have been collected from observatories globally. Criteria were a) the use of a Droplet Measurement Technologies Continuous-Flow Streamwise Thermal Gradient Chamber, also CCN counter (CCNC), a validated type of mobility particle size spectrometer (MPSS), and an Aerodyne Research Inc. aerosol mass spectrometer (AMS) or aerosol chemical speciation monitor (ACSM); b) data quality (see Methods and Technical Validation); and c) data covering at least 75 % of all seasons of one year. Among these stations are eight ACTRIS (GAW) sites, one Earth System Research Laboratory site of the US National

Oceanic and Atmospheric Administration, and two Asian initiatives. The entire data record spans 98,677 instrument hours for CCN data, 157,880 for particle size distribution and 70,817 for chemical composition, and represents nine different environments. The general instrumental set-up and location-related specifics are described in the Methods section. The records are available as Network Common Data Form (NetCDF) files (Data Citation 1) whereby each file contains data from one instrument (CCNC, MPSS or AMS) and station. These NetCDF records are additionally available through the ACTRIS data portal (<http://actris.nilu.no/Content/Products>). The harmonized multi-year data of three key variables (cloud condensation nuclei, particle number size distribution and chemical composition) for aerosol-cloud interactions is a unique collection to test satellite retrieval methods and to evaluate global climate models targeting the reduction of the related uncertainty in radiative forcing.

Methods

This section provides an overview of the general experimental design followed by descriptions of the individual measurement sites and instruments. Where applicable, discussions of site-related specificities are included. Information on recommended operation procedures for data quality assurance for all three aerosol instrument types is provided in more detail since standard operation procedures are currently being developed or have only recently been established. Additionally, we report site-specific instrumental calibration and particle loss calculations where applicable.

General study design

Table 1 provides an overview of stations with their names, geographical location, available data files and measurement protocols.

A prerequisite to be considered in this work were parallel and standard measurements of cloud condensation nuclei concentrations and aerosol number size distributions covering at least 75 % of one year. These data (Data Citation 1) were provided from 11 stations (see Table 1, Figs 1,2). At six of these stations, additional standard aerosol chemical composition data were available (see Table 1). Stations include eight shared ACTRIS/GAW sites (marked with an asterisk in Table 1) in Europe, two in Asia and one in North America. The represented environments include continental background, rural background, urban, coastal, boreal forest, Arctic, Mediterranean and high altitude conditions. At most stations more data of one or two variables are available, however, those time periods are not included here if CCN data were not available.

Figure 3 presents the general instrumental set-up with cloud condensation nuclei counters and mobility particle size spectrometer measurements for the poly- and monodisperse operation alternatives, and the optional chemical composition measurement. In the case of polydisperse CCN measurements, the aerosol is sampled and all sizes are simultaneously measured by the CCNC. In the monodisperse case, a size selection prior to the CCN analysis occurs. While different information can be gained by the two measurement options, this aggregated dataset considers only the time series of CCN number concentrations at various supersaturations (SS, see Table 2). Time series are also provided for the submicrometer aerosol number size distribution and, where available, chemical species including particulate sulfate, nitrate, ammonium, organics, chloride and sea salt. In some cases, all three types of instruments shared the same aerosol inlet, while at other stations, separate, yet closely positioned, inlets were used.

All data originators (instrument principle investigators) submitted data in their preferred format (Nasa Ames 1001 from EBAS or instrument specific format) to this effort from which the first author constructed the time series and converted all data to standard temperature and pressure (STP) where necessary. Temperature and pressure data were either available from the data originators or in the EBAS data base (<http://ebas.nilu.no>). Thereafter, all data types were averaged to the full hour with the time stamp being the end of the measurement interval and the time series were converted to UTC. In case of the Puy de Dôme observatory (PUY), averages are over 4 h due to longer CCN monodisperse scan times. Further data treatment associated with quality assurance is explained in the 'Technical Validation' section. Hereafter, this dataset is called 'aggregated' or 'secondary' dataset. Several of the primary measurement datasets, this is without the processing and aggregation by the first author, were archived in and are available from the EBAS data base. EBAS is the primary data repository for all ACTRIS near-surface data, also hosting GAW-World Data Center for Aerosols (GAW-WDCA, <http://www.gaw-wdca.org>) and all European Monitoring and Evaluation Programme (EMEP) data amongst others.

Site description and inlet systems

This section includes details about the measurement stations' characteristics and regional representativeness, together with specificities of the aerosol inlet systems. Generally, all inlet systems comply with the WMO-GAW aerosol and ACTRIS standards and recommendations. The basic rules of aerosol sampling include¹⁵:

- (a) in case of cloud presence at the station, keeping droplets either from entering or evaporating them to sample the residuals;

| Station Abbreviation | Geographical location/type | Geoposition | Sample | Protocol |
|----------------------|---|----------------------------|---------------|---------------|
| BRW | Barrow, USA, Arctic maritime | 71°19'N, 156°37'W 11 m | BRW_CCN | P_CCNC_BRW |
| | | | BRW_SIZE | P_size_BRW |
| | | | BRW_Ntot | P_size_BRW |
| CES* | Cabauw, The Netherlands, near coast, rural- background | 51°58'N, 04°56'E - 1 m | CES_CCN | P_CCNC_CES |
| | | | CES_SIZE | P_size_CES |
| | | | CES_Ntot | P_size_CES |
| | | | CES_chemistry | P_QACSM_CES |
| FIK* | Finokalia, Crete, Greece, coastal background, Mediterranean | 35°20'N, 25°40'E 250 m | FIK_CCN | P_CCNC_FIK |
| | | | FIK_SIZE | P_size_FIK |
| | | | FIK_Ntot | P_size_FIK |
| | | | FIK_chemistry | P_QACSM_FIK |
| JFJ* | Jungfrauoch, Switzerland, high alpine, background | 46°33'N, 07°59'E 3580 m | JFJ_CCN | P_CCNC_JFJ |
| | | | JFJ_SIZE | P_size_JFJ |
| | | | JFJ_Ntot | P_size_JFJ |
| | | | JFJ_chemistry | P_TOFACSM_JFJ |
| MEL* | Melpitz, Germany, continental background | 51°32'N, 12°56'E, 86 m | MEL_CCN | P_CCNC_MEL |
| | | | MEL_SIZE | P_size_MEL |
| | | | MEL_Ntot | P_size_MEL |
| | | | MEL_chemistry | P_QACSM_MEL |
| MHD* | Mace Head, Ireland, coastal background | 53°20'N, 09°54'W 5 m | MHD_CCN | P_CCNC_MHD |
| | | | MHD_SIZE | P_size_MHD |
| | | | MHD_Ntot | P_size_MHD |
| | | | MHD_chemistry | P_TOFAMS_MHD |
| NOT | Noto Peninsula, Japan, coastal background | 37°27'N 137°22'E 0 m | NOT_CCN | P_CCNC_NOT |
| | | | NOT_SIZE | P_size_NOT |
| | | | NOT_Ntot | P_size_NOT |
| PUY* | Puy de Dôme, France, mountain, continental background | 45°46'N, 02°57'E 1465 m | PUY_CCN | P_CCNC_PUY |
| | | | PUY_SIZE | P_size_PUY |
| | | | PUY_Ntot | P_size_PUY |
| SEO | Seoul, South Korea, urban, monsoon-influenced | 37°34'N 126°58'E 38 m | SEO_CCN | P_CCNC_SEO |
| | | | SEO_SIZE | P_size_SEO |
| | | | SEO_Ntot | P_size_SEO |
| SMR* | Hyytiälä, Finland, rural background, boreal forest | 61°51'N, 24°17'E 181 m | SMR_CCN | P_CCNC_SMR |
| | | | SMR_SIZE | P_size_SMR |
| | | | SMR_Ntot | P_size_SMR |
| | | | SMR_chemistry | P_QACSM_SMR |
| VAV* | Vavihill, Sweden, rural background | 56°01'N, 13°09'E 172 m | VAV_CCN | P_CCNC_VAV |
| | | | VAV_SIZE | P_size_VAV |
| | | | VAV_Ntot | P_size_VAV |

Table 1. Metadata record. Stations with one asterisk form part of the ACTRIS network.

*ACTRIS Network station.

- (b) keeping diffusional and inertial particles losses as well as evaporation of volatile particulate components to a minimum;
- (c) ensuring relative humidity < 40 % upstream of the instruments in the sample line. At RH < 40 %, the particle diameter will change less than 10 % as compared to fully dry particles, and thus will not

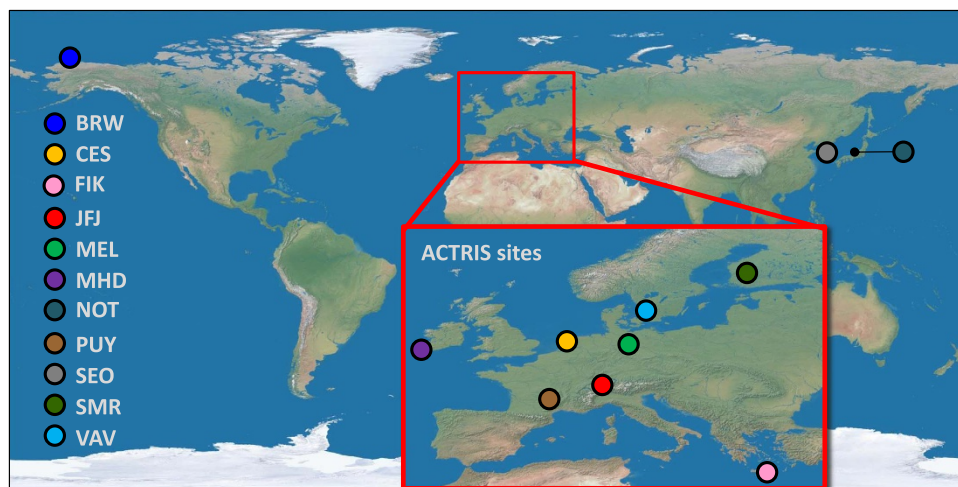


Figure 1. Map of sampling sites included in the dataset. Made with Natural Earth III (<http://www.shadedrelief.com/natural3/pages/textures.html>).

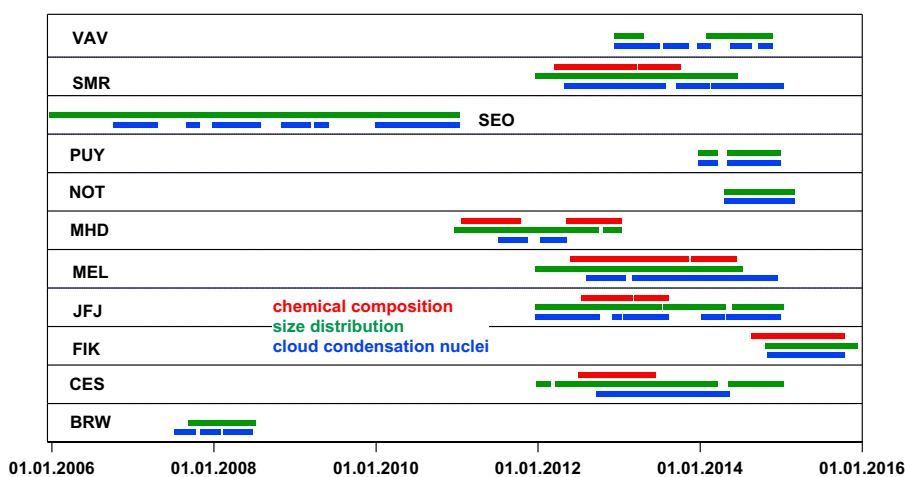


Figure 2. Time coverage of the record of harmonized data. More data are available through the data portal EBAS (<http://ebas.nilu.no>).

introduce biases for size determination or change other characteristics. Furthermore, no condensation of water vapor in the inlet system will occur which could impair instrument performance.

Most stations have been audited by the World Calibration Center for Aerosol Physics (WCCAP) and pictures of some stations can be found here: <https://www.tropos.de/forschung/grossprojekte-infrastruktur-technologie/technologie-am-tropos/qualitaetsicherung-von-aerosolmessungen/>.

Barrow (BRW)

The Barrow facility is operated under the Earth System Research Laboratory of the US National Oceanic and Atmospheric Administration and located near the Arctic Ocean. The station is surrounded by flat tundra, large lagoons, and lakes. The predominant wind direction is from east-northeast from the Beaufort Sea with minimal anthropogenic pollution. Generally, the station's environment can be described as Arctic maritime climate affected by variations of weather and sea ice conditions in the Central Arctic (see also <https://gawsis.meteoswiss.ch/GAWSIS//index.html#/search/station/stationReportDetails/489>).

The aerosol inlet is a standard NOAA site system as described by ref. 16. The inlet consists of a roughly 10 m high intake stack with 21.4 cm inner diameter with a flow of 1000 l min⁻¹. The sample flow does not require specific drying due to the temperature difference between the ambient air and laboratory

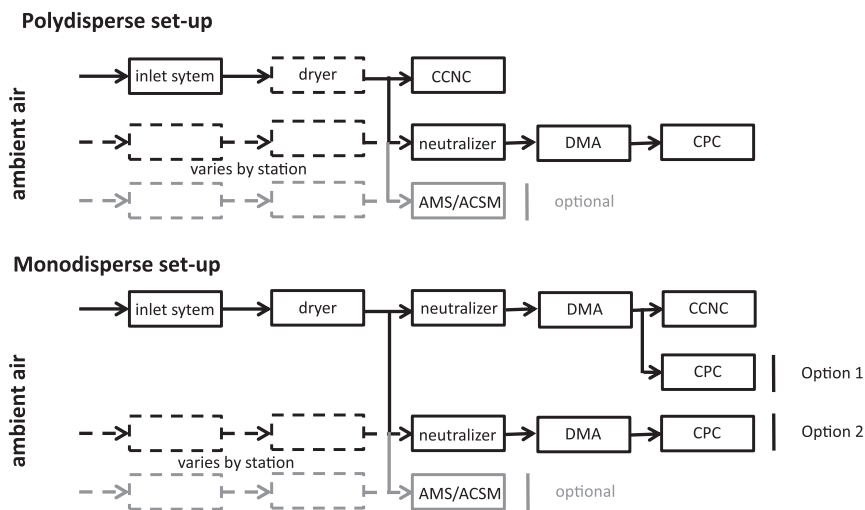


Figure 3. General measurement set-up. The upper panel shows the set-up for polydisperse cloud condensation nuclei (CCN) measurements. Depending on the station specific set-up, the same or different inlet systems were used for the size distribution and optional chemical composition measurements. Dashed boxes and lines indicate that the specific set-up varied by station. The lower panel shows the same for monodisperse CCN measurements, whereby size distributions were either measured after the same neutralizer and differential mobility analyzer (DMA) or behind a second system (indicated with option 1 and 2). The methods section specifies which set-up each station used. ACSM = aerosol chemical speciation monitor, AMS = aerosol mass spectrometer, CCNC = cloud condensation nuclei counter, CPC = condensation particle counter.

environment. Typically, the relative humidity is $< 30\%$. From the center part of the stack, the aerosol sample flow is extracted and isokinetically split to the various instruments. Each stainless steel line has a controlled flow of 3 l min^{-1} to avoid particle losses. The inlet system is built in such a way that losses of $10\ \mu\text{m}$ particles are $< 10\%$ and $< 5\%$ for particles between 0.01 and $1\ \mu\text{m}$.

Cabauw (CES)

The Cabauw Experimental Site for Atmospheric Research (CESAR) is operated by the Royal Netherlands Meteorological Institute (KNMI) and located about 40 km from the North Sea at 0.7 m below sea level. The station's environment is typical for north-west Europe and can be described as background continental and maritime. Influences from the cities of Utrecht and Rotterdam (20 and 30 km , respectively) cannot be excluded⁸, as well as from agricultural activities of grassland management and animal keepings¹⁷.

Aerosol is sampled at the 60 m mark from the 220 m high CESAR tower. The inlet system consists of the following sections: 1) four PM_{10} sampling heads, 2) two Nafion dryers (type PD-200T) to keep the sample flow below 40% RH, 3) a 60 m stainless steel tube with a 66.8 l min^{-1} laminar flow, and 4) a manifold to serve the various instruments with sample air¹⁸. Particle losses have been evaluated taking into account the calculations and measurements as provided in refs 17,19.

Finokalia (FIK)

The Finokalia station (<http://finokalia.chemistry.uoc.gr/>) is operated by the University of Crete on the northern coast of the island of Crete. It is located at the top of a hill and representative of maritime background conditions as the nearest city, Heraklion, is about 70 km away. Two seasons can be distinguished. The dry season from April to September is characterized by elevated wind speeds from the north-northwest. In the wet season from October to April in addition to the north-northwesterly winds influence from the south-southwest (Sahara) becomes important²⁰. Aged aerosol populations from the marine boundary layer, continental Europe, the Saharan desert, and summer biomass burning are frequently observed.

Aerosol measurements are conducted in a dedicated building at the station equipped with various aerosol inlets which are situated at 4 m above ground level. Generally, the systems consist of a sampling head (total aerosol, PM_{10} , $\text{PM}_{2.5}$ or PM_1), a short stainless steel tube with a laminar sample flow, and dryers to keep RH below 40% .

Note that the station abbreviation 'FIK' is used in the GAW system, while 'FKL' is used in ACTRIS and other protocols and 'GR0002R' in the EMEP database.

| Protocol Name | Site | CCNC type | Operation mode | Super-saturation (%) | Flow rate (l min ⁻¹) | Acquisition Software | Data processing package | references |
|---------------|----------------------|-----------|--|--|----------------------------------|---|---|------------|
| P_CCNC_BRW | Barrow (BRW) | CCN-100 | polydisperse | 0.20, 0.30, 0.50, 0.60, 1.00, 1.20, 1.45 | 0.5 | standard Labview program by Droplet Measurement Technologies | Custom code | link |
| P_CCNC_CES | Cabauw (CES) | CCN-100 | polydisperse | 0.10, 0.20, 0.30, 0.50, 1.00 | 0.5 | standard Labview program by Droplet Measurement Technologies | Custom Matlab script by ECN Environmental Assessment | 8 |
| P_CCNC_FIK | Finokalia (FIK) | CCN-100 | polydisperse | 0.20, 0.40, 0.60, 0.80, 1.00 | 0.5 | standard Labview program by Droplet Measurement Technologies | Data processing Procedures within the Igor Pro 6.37 version | 43 |
| P_CCNC_JFJ | Jungfrau-joch (JFJ) | CCN-100 | polydisperse | 0.10, 0.15, 0.20, 0.25, 0.30, 0.35, 0.40, 0.50, 0.70, 1.00 | 1.0; 0.75 | standard Labview program by Droplet Measurement Technologies | PSI CCNC Toolkit | 11,87 |
| P_CCNC_MEL | Melpitz (MEL) | CCN-100 | monodisperse (DMA: Hauke medium TROPOS-built, CPC: TSI Model 3010) 20–440 nm | 0.10, 0.20, 0.30, 0.50, 0.70 | 0.5 | TROPOS CCNC Labview program for monodisperse CCNC measurements | TROPOS CCNC software | 46 |
| P_CCNC_MHD | Mace Head (MHD) | CCN-100 | polydisperse | 0.10, 0.25, 0.35, 0.50, 0.75, 1.00 | 0.5 | standard Labview program by Droplet Measurement Technologies | custom Matlab code | 8 |
| P_CCNC_NOT | Noto Peninsula (NOT) | CCN-100 | monodisperse (DMA: TSI Model 3081L, CPC: TSI Model 3776) 8–342 nm | 0.10, 0.20, 0.50, 0.80 | 0.5 | TSI Aerosol Instrument Manager and standard Labview program by Droplet Measurement Technologies | Scanning Mobility CCN Analysis Tool (http://nemes.eas.gatech.edu/Experiments/SMCA.html) | 29 |
| P_CCNC_PUY | Puy de Dome (PUY) | Mini-CCNC | monodisperse (TSI type DMA 44 cm, TSI CPC 3010) | 0.2 | 0.1 with bypass flow of 0.4 | LaMP custom code | LaMP custom code | |
| P_CCNC_SEO | Seoul (SEO) | CCN-100 | polydisperse | 0.20, 0.40, 0.60, 0.80 | 0.5 | standard Labview program by Droplet Measurement Technologies | University of Seoul mysql and perl code | |
| P_CCNC_SMR | Hyytiälä (SMR) | CCN-100 | polydisperse | 0.10, 0.20, 0.30, 0.50, 1.00 | | standard Labview program by Droplet Measurement Technologies | University of Helsinki Matlab code | 8 |
| P_CCNC_VAV | Vavihill (VAV) | CCN-100 | polydisperse | 0.10, 0.15, 0.20, 0.25, 0.30, 0.35, 0.40, 0.50, 0.70, 1.00, 1.40 | | standard Labview program by Droplet Measurement Technologies | Lund University custom code | |

Table 2. Description of cloud condensation nuclei data acquisition for each site including the instrument type, operation mode, applied supersaturations, acquisition and data processing software and references from the literature.

Jungfraujoch (JFJ)

The high-alpine research station Jungfraujoch is located in the Swiss Alps at 3580 m above sea level on a ridge between two mountains higher than 4000 m. Aerosol measurements are conducted by the Paul Scherrer Institute's Laboratory of Atmospheric Chemistry. The station is considered a continental background site since it is far away from major anthropogenic emission sources. Aerosol properties exhibit a strong seasonal cycle with lower concentrations in winter when free tropospheric conditions prevail. During the warm season, concentrations are higher owing to injections of more polluted boundary layer air masses due to thermal convection. A more detailed description can be found in ref. 21. Additionally, tourism related emissions can influence aerosol measurements particularly in the summer months and during favorable weather conditions year-round. Such local influences of pollution have been removed from the dataset by visual inspection to make the dataset representative of the regional background conditions²².

In the Sphinx laboratory on Jungfraujoch, the heated (~20 °C) inlet collects all aerosol particles and cloud droplets up to 40 µm. As the cold sample flow (July mean temperature is around -1 °C) enters the laboratory which is kept at approximately 25 °C, all condensed water evaporates, hence interstitial as well as activated aerosol particles are measured. Losses for the whole inlet system are below 5% for particles between 10 and 750 nm diameters. Inside the laboratory, the dried aerosol sample is distributed to a series of instruments including the permanently installed CCNC and scanning mobility particle sizer (SMPS), as well as to the time-of-flight aerosol chemical speciation monitor (ToF-ACSM) for the respective measurement period. More detailed descriptions of the inlet can be found in refs 11,22,23.

Mace Head (MHD)

Mace Head is located on the west coast of Ireland roughly 100 m from the Atlantic shoreline. It is operated by the National University of Ireland, Galway, and is a GAW, EMEP and ACTRIS station.

Aerosol populations represent north-east Atlantic background conditions. The closest city, Galway, is about 90 km away. Sixty four percent of the time, air arriving at Mace Head is either clean or pristine marine air, the remainder being polluted to different degrees, either from local sources (modified marine air masses) or long-range transport from the UK and continental Europe²⁴.

Aerosol measurements are conducted from a shore laboratory using the 10 m high stainless steel community sampling duct with a diameter of 10 cm and operated at 150 l min⁻¹. The sample air is dried to < 40 % RH. The 50 % upper size cut-off for the carrier duct is at 10 µm, and losses of particles < 1 µm are < 5 % for low and reach 30 % for 15 m s⁻¹ wind speeds²⁵.

Melpitz (MEL)

The Melpitz research station is operated by the Institute for Tropospheric Research, Leipzig, which also hosts the World Calibration Center for Aerosol Physics. The site, located 45 km north-east from Leipzig, is representative of more anthropogenically influenced Central European background conditions²⁶. It is surrounded by flat grass lands, fields and forests. Westerly wind conditions bring air masses from the Atlantic with lower aerosol particle mass concentrations, while easterly winds transport continental air masses with more accumulated particle mass concentration²⁷.

Online aerosol instruments are located in the container laboratory and sample from an inlet 6 m above ground which carries a PM₁₀ head followed by an aerosol diffusion dryer that maintains RH below 30 % (ref. 28). Particle transmission is near 100 % for the size range from 20 to 800 nm (ref. 28).

Noto (NOT)

The Noto Ground-based Research Observatory is located at the eastern tip of the Noto Peninsula at the west coast of Japan. The peninsula reaches about 150 km into the sea and the nearest provincial cities are Toyama and Kanazawa, 85 and 115 km away, respectively. The remote location allows for monitoring of atmospheric background conditions in East Asia as well as long-range transported pollution originating from continental East Asia²⁹.

The aerosol inlet system draws air from 14.7 m above ground at a flow rate of 78 l min⁻¹ through a stainless steel tube (5.65 cm outer diameter). An isokinetic flow splitter distributes the sample air to the individual instruments where the air is dried before analysis²⁹.

Puy de Dôme (PUY)

Puy de Dôme is a mountain station at 1465 m altitude in the French Massif Central. Aerosol measurements are conducted by the Laboratoire de Météorologie Physique. The station is surrounded by forests and agricultural land and the influence of the nearest city, Clermont-Ferrand, 396 m a.s.l., 16 km to the east, is limited, especially during night time. The area is accessible by train (electrically driven) which stops some 500 m away, which has mostly a negligible influence on the aerosol measurements^{30,31}. The predominant wind direction is from the west, while the moderate altitude of the station enables characterization of the planetary boundary layer, lower free troposphere, nocturnal residual layer and their interfaces. The aerosol concentration is lowest during wintertime, when the influence of the free troposphere is highest³⁰.

As the site is covered in clouds 50% of the time during winter, aerosol is sampled from a whole air inlet (WAI) that efficiently samples particles and droplets < 35 µm at wind speeds < 8 m s⁻¹. Due to the temperature difference between the ambient air and the laboratory, the sample air is not actively dried and it is typically < 40% RH. After water vapor dissipation the aerosol population is thought to represent an aerosol after the natural dissipation of a cloud. Losses are < 5% for particles larger than 15 nm (ref. 30). Particle number concentrations and size distributions are measured downstream of the same WAI.

Seoul (SEO)

Seoul is a megacity in South Korea with more than 10 million inhabitants. Measurements were conducted by the Yonsei University on their campus which is located in the northwestern part of the city. More precisely, the instrumentation was located on the sixth floor of a building roughly 300 m away from the nearest main traffic roads. The site can be characterized as urban background. It is also characteristic of seasonal differences due to the summer monsoon³².

The sample air to the instruments was neither dried nor diluted. The length of the inlet lines to each instrument was about 1 m built with 0.25 inch conductive tubing. Particle losses were minimal for the submicrometer size range.

Hyytiälä (SMR)

The Station for Measuring Ecosystem- Atmosphere Relations (SMEAR II) is located in the Hyytiälä Forestry Field Station, in southern Finland, and is operated by the University of Helsinki. It is surrounded by boreal coniferous forest, dominated by scots pine, and is representative of the boreal environment³³. The nearest larger city, Tampere, is located 60 km to the south-west. Air masses at SMR originate from the Arctic and Europe, but aerosol concentrations are typically low⁸. Local pollution sources are of minor impact but non-negligible, as there are e.g., sawmills, light traffic, minor agriculture and houses nearby. Local pollution is usually easily distinguished by aerosol plumes in the data.

Cloud condensation nuclei number and particle number size distribution measurements are conducted from a PM₁₀ inlet 8 m above ground. The inlet flow is 150 l min⁻¹, and it is dried to RH < 40% before the flow is split to the individual instruments. Particle losses in the inlet system are minimal.

Vavihill (VAV)

Vavihill station, operated by Lund University, is located in southern Sweden and is surrounded by grasslands and deciduous forest. It serves as a continental background station appropriate to study continental European pollution outflow to the North. South-westerly winds are dominant³⁴. The nearest village is 10 km away, while the largest cities are located in the west to south-east sector (Helsingborg 25 km away, Lund 46 km, Malmö and Copenhagen 60–70 km).

Aerosol is sampled through two standard PM₁₀ inlet heads³⁵ through a stainless steel tube roughly reaching 2 m above the laboratory container. For the inlet connected to the particle number size distribution measurements, the air is dried to RH < 40%, whereas after the second inlet for the polydisperse CCN measurements, no drier is used.

Instrument descriptions

Here we describe the measurement principles, major uncertainties and standard operation procedures for the cloud condensation nuclei counter, the particle size spectrometers and the aerosol mass spectrometers. Each general instrument description is succeeded by more detailed information for each site.

Cloud condensation nuclei counter (CCNC)

All stations used the only commercially available CCNC, model CCN-100 from Droplet Measurement Technologies (DMT, Boulder, USA), which is a Continuous-Flow Streamwise Thermal Gradient Chamber, described in detail in refs 36,37. Instrument modifications are discussed under the station headings below if applicable.

The CCNC consists of a cylindrical continuous-flow chamber in which aerosol can be exposed to a constant (user-defined) supersaturation as follows. An aerosol sample flow is guided through the center of the cylinder by a particle-free laminar sheath flow. Particles that activate at a critical supersaturation lower than the set supersaturation form droplets. The size distribution of droplets (particles with diameter larger than 1 μm) exiting the activation column after a roughly 10 s exposure to supersaturation is counted by an optical particle counter. The centerline supersaturation is generated by applying a controlled (and constant) streamwise temperature gradient at the cylinder wall; by maintaining the inner wall wet, heat and water vapor continuously diffuse towards the center of the tube. Because water vapor has a lower molecular weight than moist air, diffusion of water vapor is faster than heat and the centerline becomes supersaturated³⁷. A constant flow rate, chamber pressure and streamwise temperature gradient ensure a quasi-constant supersaturation for the developed region of the flow in the chamber³⁶.

Refs 36,38,39 provide recommendations for the operation of the CCNC. There are two main operation modes as shown in Fig. 3. Polydisperse aerosol activation is measured when simply sampling ambient air, while in the monodisperse operation mode, particles are size selected by means of a differential mobility analyzer (DMA) prior to entering the CCNC.

Table 2 indicates in which mode the instruments were operated. In both cases time series with total number concentrations of CCN at a certain supersaturation can be derived, if the scanned diameter range in the monodisperse measurements has a sufficiently large upper detection limit such that only a very minor fraction of droplet activating particles is not captured. This was the case for all stations with a monodisperse measurement set-up. Therefore there is no difference in the data files presented here except for a lower time resolution in the case of the PUY station. Independent of the operation mode, the common supersaturations recommended to be measured are 0.1, 0.2, 0.3, 0.5 and 1.0%.

Table 2 indicates the actually measured supersaturations. At each station, at least one of these values was measured. The supersaturation of 1.0% is recommended to compare CCN with the total number concentration for quality assurance. See section ‘Technical Validation’ for details. Further recommendations include:

- flow rates settings a) to avoid too long residence times in the lines upstream of the activation column to avoid diffusion losses, or too short residence times in the column that can limit droplet growth; b) to guarantee laminar flow conditions by setting the correct aerosol to sheath flow ratio (1:10).
- setting temperatures in the correct ranges and time intervals to ensure stable supersaturation values and reliable counting statistics, as well as stepping from the highest to the lowest supersaturation.

Main factors that introduce uncertainty in the measured CCN number concentrations are the flow rate and the calibration of the instrument’s supersaturation, and changes in pressure e.g., during airborne operations⁴⁰. The flow rate has a direct impact on the supersaturation and together with the sheath flow is a parameter to convert counts to a number concentration. Therefore ref. 38 recommends calibrating the flow rate at least every six months. With respect to the supersaturation calibration, details are given in the above mentioned references for ammonium sulfate as well as for sodium chloride in ref. 41. Briefly,

ammonium sulfate particles (preferred over sodium chloride) of a selected size are introduced into a condensation particle counter (CPC) and the CCNC in parallel while supersaturations are stepped ('S-scan'). This yields the temperature gradient needed to activate particles with the given diameter. The temperature gradient determines the supersaturation at a given flow rate. Alternatively, the diameter of the particles can be scanned or stepped at a fixed supersaturation ('D-scan'). Here, the critical diameter is derived from the given temperature gradient (supersaturation). Based on the thermodynamic properties of ammonium sulfate particles the critical supersaturation SS_{crit} corresponding to D_{crit} or D_{set} and temperature can be determined. This can be done by applying the Aerosol Diameter Dependent Equilibrium Model (ADDEM, ref. 42), the Aerosol Inorganic Model (AIM) like in ref. 41, the Pitzer-interaction model⁴³ or a specifically prepared lookup-table (Supplementary Material 1) which is based on an implementation of the Pitzer-interaction model⁴⁴ and cross-validated against ADDEM. Calibration curves of the temperature gradient in the CCNC activation column versus the derived supersaturation are then created based on which the uncertainty in the determination of the supersaturation can be calculated. Generally, the target accuracy for $SS > 0.2\%$ is $\pm 10\%$, in relative terms, and $\Delta SS \leq 0.03\%$, in absolute terms.

During measurements, the actual supersaturation can deviate from the target setting. For such instances, the recommendation³⁸ is to linearly interpolate to the target supersaturation for deviations $< 20\%$. This was applied to this dataset. For larger deviations, data is reported as missing. Importantly, supersaturation calibrations need to be carried out at the flow rate and pressure level at which the instrument will be operated. Ref. 38 provides information on data processing procedures for how to include temperature readings and treatment of diffusion losses, and, for monodisperse measurements specifically, the correction for multiply-charged particles and inversion routines (see paragraph on particle size spectrometers).

In case of high CCN number concentrations ($> 5000 \text{ cm}^{-3}$), the supersaturation and droplet sizes can decrease, because of the higher water vapor depletion⁴⁵. This can affect the derived CCN number concentration. This dataset has not been corrected for this potential effect.

Reliability and comparability of the datasets presented here were ensured by the application of the ACTRIS technical standards as described above (if not described otherwise below). In the case of the non-ACTRIS stations and earlier measurements, the same procedures were followed nevertheless as they had been established as 'good practice' within the community beforehand. For each station's CCN measurements, Table 2 provides details on the data treatment protocol which includes information on the deployed instrument model, its operation mode, and acquisition and data processing software used to create the data record. References describing data acquisition and processing following the protocols are included. Protocols for CCN datasets are named 'P_CCNC_nameofstation'.

Station specific CCNC remarks

BRW. The instrument had been calibrated at a lower pressure level (840 hPa) than the operational level (sea level). Therefore the uncertainty in the supersaturation determination is between 10 and 20%.

CES. Specific particle losses due to the inlet line from the manifold and within the instrument have been calculated. Transmission of particles starting at the size range expected to activate at 1% supersaturation (roughly 50 nm) is $> 90\%$. The losses have been taken into account.

FIK. At Finokalia, the CCNC is connected to a PM_1 head. The instrument is calibrated regularly with sodium chloride particles. Differences to the ACTRIS SOP calibration with ammonium sulfate are described in detail in ref. 43.

JFJ. The CCNC measured behind the above described aerosol inlet with a total flow of 1 l min^{-1} until February 2013, and thereafter with a flow of 0.75 l min^{-1} . The performance of the CCNC varied throughout the measurement period. In 2012 the instrument ran comparably to conditions reported in ref. 11 with a maximum uncertainty of reported supersaturations of 10%. In 2013, after exchanging the Nafion membrane, the instrument calibration curves varied more strongly throughout the year leading to a maximum uncertainty of 16%. In 2014, the maximum uncertainty was 4%. A comparison of CCN data at 1% supersaturation with the integrated SMPS particle number concentration showed that the CCN concentration in 2012 was underestimated by about 40% while it was overestimated by about 30% in 2013 after the membrane exchange. Data for these two years were corrected accordingly (see Fig. 4).

MEL. A DMA is used to perform size-segregated CCN measurements. The aerosol to sheath air flow rate is kept at 1:10. Multiply-charged particles cannot be avoided in the selection process, hence CCN data is corrected by applying the bipolar charge distribution⁴⁶. To quality check CCN data, particle number size distributions from a separate dual mobility particle size spectrometer (described below) have been used.

NOT. Monodisperse CCN analysis was performed following the Scanning Mobility CCN Analysis (SMCA) system^{29,47}. The sample air was dried with two silica gel diffusion dryers. Subsequently particles were selected by their mobility diameter with a DMA. The monodisperse aerosol sample flow was split

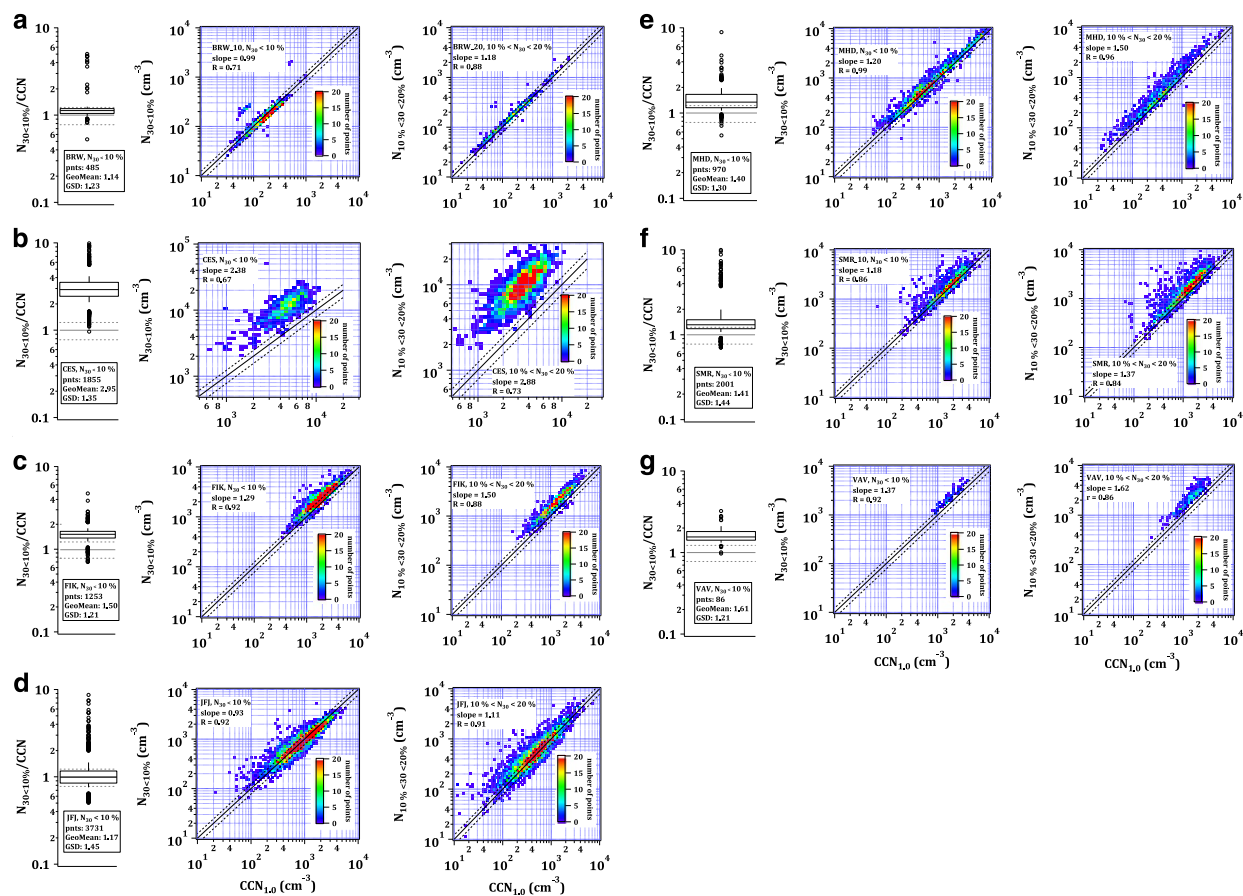


Figure 4. Data quality check for polydisperse measurements at 1% supersaturation. Each panel (a–g) shows for each station, in alphabetical order, the ratio of the total particle number to $CCN_{1,0}$ when the number of particles < 30 nm (N_{30}) makes up between 10 and 20 % (right) and < 10% (middle) of the total particle number. Results are presented in logarithmic bins where the color code shows the number of points per bin. The slopes and correlation coefficients of the curves are provided. The black line denotes the 1:1 line and the dashed black lines indicate the range of expected uncertainty from particle counting. The left panels show box and whiskers plots of the ratio $N_{30 < 10\%}/CCN_{1,0}$ with the median, interquartile range, 10th and 90th percentiles, and points beyond the 2.5th and 97.5th percentile. The grey solid lines and dashed lines indicate the same as black lines in the right hand side plots. The number of total points is provided (*pts*) as well as the geometric mean (*GeoMean*) and geometric standard deviation (*GSD*).

between a CPC and the CCNC for measurements of total particle and CCN number size distributions. The CCNC was calibrated regularly with ammonium sulfate following a procedure comparable to the ACTRIS SOP. Data analysis was conducted with the SMCA software package⁴⁷ which includes multiple-charge correction for particle and CCN number size distributions.

PUY. Different from all other stations, at PUY a miniature version of the DMT CCNC-100 is operated⁴⁸ at only one supersaturation (0.2%) in the monodisperse mode. The aerosol flow is 0.015 l min^{-1} adjusted with a sheath flow to 0.1 l min^{-1} total. To reduce particle losses a bypass flow of 0.4 l min^{-1} is added. Standard calibration and operation procedures do not differ from the ACTRIS SOP.

SEO. Since measurements were conducted before the ACTRIS projects and outside of Europe, calibration and operation of the CCNC were based on the methods described in ref. 41. Those methods constitute a major reference to the current ACTRIS recommendations.

SMR. In addition to the polydisperse CCN measurements described in this study, size-resolved CCN number concentration measurements were performed concurrently since 2007. Those measurements are described in detail in ref. 49 and are available from the EBAS data base.

There are no specific remarks for the stations MHD and VAV.

Mobility particle size spectrometers

The mobility particle size spectrometer, often called scanning mobility particle sizer (SMPS) or the similar differential mobility particle sizer (DMPS), measures the number size distribution of submicrometer particles by counting particles of the different sizes that are selected based on their electrical mobility. Commonly, an MPSS consists of an impactor, a bipolar diffusion charger (often called neutralizer), a DMA, and a CPC setup in series. The bipolar diffusion charger brings the particles into an approximate bipolar charge equilibrium. The DMA is a cylinder with a charged electrode at its center. At the outer side the aerosol sample enters and is then guided to the bottom in a laminar flow by particle free sheath air. By applying a voltage between outer cylinder and electrode, all charged particles move towards the center rod and only particles of a certain size move directly towards the exit of the column and are counted. The upstream impactor removes particles larger than the upper DMA size limit, which enables correction for larger multiply charged particles with the same mobility diameter as singly charged smaller particles. The scanning of different voltages in the DMA results in an electrical mobility distribution. This can be transformed into particle number size distributions by using an inversion method. All inversion methods applied here have been tested and yield reliable results⁵⁰. A DMA transfer function is included in the inversion calculation to account for the transmission of particles through the DMA at the given flow rate and particle size. Additionally, diffusion losses in the whole system (including the neutralizer) are considered via the ‘effective length’, as well as the counting efficiency of the CPC in particular with respect to their lower cut-off diameters⁵⁰.

The reliability of the measurements is subject to a number of operating parameters as summarized below based on refs 39,50:

- flow rates: A 1% error in the sheath air flow rate result in a shift of 1% in selected the particle mobility. At the typical ratio of aerosol to sheath air flow 1:10, a leak in the sheath air flow of 1% results in a 10% error in the aerosol flow which directly impairs the particle number concentration.
- Leaks and contamination of the flows result in large errors that are difficult to quantify.
- The mobility of the particle depends on the actual temperature and pressure at which the system is operated. This aspect is important for e.g., mountain stations. Pressure changes of 30 hPa result in a 1% error in sizing.
- The relative humidity of the aerosol as well the sheath air flow should be kept < 40% to avoid hygroscopic growth of particles which would change their diameter.

MPSSs are calibrated by verifying the sizing with polystyrene latex (PSL) spheres of a given size. The instrument should determine the particle size within the PSL size uncertainty of 2.5% and the tolerable variance in the sheath air flow rate of 1%. This implies that flow rates were regularly if not continuously checked. In addition, zero-checks were conducted to avoid false counts.

Details on each station’s mobility particle size spectrometer are given in Table 3. Different from the CCNC, there are several commercial models available and some user groups operate their own custom-built versions. Due to the many different models as well as the sensitivity of the measurements to a number of operational parameters as outlined above, comparability of results can be hampered. For this reason it is particularly important to ensure compliance with the standard technical requirements, operation procedures and the use of validated inversion routines for data analysis as provided by ref. 50 which serves as guideline within ACTRIS and WMO-GAW among others. All stations followed these guidelines including non-ACTRIS sites, if not stated otherwise. In Table 3, datasets from station operators that participated in the intercomparison described in ref. 50 are marked with ‘*’. In addition to their instruments, also inversion routines have been tested.

Despite compliance with the protocols, deviation of results between instruments is expected. In a number of intercomparison workshops at the WCCAP (ref. 50) it was found that uncertainties within 10% can be expected for particles in the size range 20 to 200 nm, while deviations become significantly larger for smaller particles. Also at the higher end, divergence was observed. This should be kept in mind when interpreting particle size distributions and size resolved number concentrations.

Table 3 provides details on the size distribution data treatment protocol which includes information on the deployed instrument model, its operation mode, and acquisition and data processing software used to create the data record. References describing data acquisition and processing following the protocols are included. Protocols for size distribution datasets are named ‘P_size_nameofstation’.

Site specific remarks

JFJ. The JFJ SMPS is connected to the total air aerosol inlet and operates with a sample flow of 0.31 min⁻¹ and a sheath flow of 31 min⁻¹. To validate the integrated particle number concentration as derived from the SMPS measurements, in addition to participating in intercomparisons at the WCCAP (ref. 50), it is compared to the number concentration determined by the CPC for periods in which very few particles under 20 nm are present. Particles larger than 600 nm play only a minor role in the number concentration at the measurement site. A size-independent, time-dependent correction factor is determined and applied. Periods with over 20% discrepancy are removed from further data analysis²².

| Proto-col name | Site | mobility size measurement system | # of bins | diameter range (nm) | Acquisition Software | Data processing package | references |
|----------------|----------------------|--|-----------|---------------------|-------------------------------------|--|------------|
| P_size_BRW | Barrow (BRW) | TROPOS-type custom-built SMPS | 33 | 10–810 | TROPOS custom made | TROPOS custom code | 50 |
| P_size_CES* | Cabauw (CES) | SMPS TSI 3034 | 70 | 10–516 | TSI standard software | Custom code | 17,50 |
| P_size_FIK | Finokalia (FIK) | TROPOS-type custom-built SMPS | 71 | 9–849 | TROPOS v4.7.2 | TROPOS custom code | 50 |
| P_size_JFJ* | Jungfraujoch (JFJ) | Custom built SMPS (DMA, TSI 3071 and a CPC TSI 3775) | 104 | 20–600 | PSI Labview program | PSI SMPS Toolkit | 11,22 |
| P_size_MEL* | Melpitz (MEL) | TROPOS-type Dual SMPS custom built | 46 | 5–800 | TROPOS Labview program | TROPOS custom software | 50 |
| P_size_MHD* | Mace Head (MHD) | Custom-built SMPS (DMA TSI 3071, CPC TSI 3010, aerosol neutralizer TSI 3077) | 89 | 25–500 | custom Labview program | custom Matlab code | |
| P_size_NOT | Noto Peninsula (NOT) | TSI instruments (DMA: TSI Model 3081L, CPC: TSI Model 3776) 8–342 nm | 270 | 8–342 | TSI Aerosol Instrument Manager | Scanning Mobility CCN Analysis Tool | 29 |
| P_size_PUY* | Puy de Dome (PUY) | Custom built DMPS (TSI type DMA 44 cm, TSI CPC 3010) | 26 | 10–400 | LaMP custom code | LaMP custom code | |
| P_size_SEO | Seoul (SEO) | SMPS, TSI 3936L10 | 106 | >10–478 | Standard TSI software | SMPS program by TSI, mysql and perl code | 32 |
| P_size_SMR* | Hyttälä (SMR) | UHEL-type Custom built Dual DMPS (Hauke DMA, CPC TSI 3025A) | 51 | >3–1000 | University of Helsinki Labview code | University of Helsinki Matlab code | 88, link |
| P_size_VAV* | Vavihill (VAV) | ULUND-type Custom built Dual-DMPS | 37 | >3–900 | Custom made | Custom made | 35,89 |

Table 3. Description of size distribution data acquisition for each site including the instrument type, scan width and steps, acquisition and data processing software and references from the literature.

*Operators at these stations participated in intercomparison workshops at the WCCAP⁵⁰.

SEO. As measurements were taken outside the ACTRIS geographical reach, the instrument did not participate in intercomparison activities. Details of its operation are provided in ref. 32.

There are no specific remarks for the stations BRW, CES, FIK, MEL, MHD, NOT, PUY, SMR, and VAV.

Aerosol mass spectrometers

A variety of aerosol mass spectrometers has been developed within the past 15 years by Aerodyne Research Inc. (ARI, Billerica, USA)^{51,52} to measure submicrometer non-refractory aerosol chemical composition. Most typically, particulate ammonium, nitrate, sulfate, chloride and organics are reported. Among the instruments are the ones equipped with a quadrupole (Q-AMS) or time-of-flight mass spectrometers in the compact version C-ToF (ref. 53) and high resolution version HR-ToF (ref. 54) which have been deployed in numerous short-term field campaigns^{55,56}. For long-term observations, a monitoring type version of the AMS, the aerosol chemical speciation monitor (ACSM), has been developed⁵⁷ with either a quadrupole (Q-ACSM) or time-of-flight⁵⁸ (ToF-ACSM) mass spectrometer. The Q-ACSM has been used extensively and validated within the ACTRIS network stations⁵⁹. In this work, four datasets originate from the Q-ACSM, and one each from the ToF-ACSM and HR-ToF-AMS. Below follows a joint description of all mass spectrometer types, while specificities are presented under the station headings.

In general, all AMS and ACSM types sample aerosol through a critical orifice and an aerodynamic lens system. Typically, the critical orifice has a diameter of 100 μm , restricting the sample flow to 0.08 l min^{-1} . The lens system focuses the particles into a narrow beam and concentrates them before they are accelerated into a vacuum chamber and hit a vaporizer operated at 600 $^{\circ}\text{C}$. Particles in the size range from 150 to 450 nm are transmitted by the aerodynamic lens to about 100% efficiency, while also a significant fraction of the particles between 70 and 1000 nm are transmitted⁶⁰. The cut-offs vary slightly between instruments as they are a function of the pumping and quality of the established vacuum. Particles are flash vaporized and their gaseous fragments are ionized by electron impact ionization (70 eV), before entering the mass spectrometer for separation according to their mass-to-charge ratio. To determine the aerosol concentration, the instrumental background signal is subtracted from the ambient signal. In the case of the ACSM, a valve switching system in front of the critical orifice guides the sample flow in regular intervals through a filter which retains all particles. In case of the AMS, a chopper, installed in the vacuum chamber, is regularly moved into the beam keeping the particles from reaching the vaporizer. An additional difference in the AMS is that particles fly through a time-of-flight region extending from the chopper to the vaporizer, where the

aerodynamic diameter of the particles can be measured. This type of information, however, is not included in this work as most chemical composition measurements were conducted by ACSMs and particle size distribution data from the MPSS is available. Finally, the obtained mass spectra are deconvoluted by applying a so-called fragmentation table based on laboratory experiments⁶¹ to report the typical inorganic and organic aerosol components. More detailed descriptions of the functioning of the various AMS and ACSM types can be found in refs 52–54,57,58.

To ensure reliable results, several well-established procedures^{52,59,62} including calibrations were routinely carried out by instrument operators. In addition, all Q-ACSMs operated within ACTRIS participated in an intercomparison exercise^{59,62} (marked with ‘*’ in Table 3) at the Aerosol Chemical Monitor Calibration Center. Generally, the latest acquisition and analysis software were used. After instrument transport, the lens system needs to be aligned such that the particle beam hits the vaporizer unit centrally and all voltages need to be tuned for optimal ion detection in the mass spectrometer. Protocols are described in refs 51,57. The instrument intercomparison described in these references took place in 2013 during many of the reported periods in this dataset. Data from this period are not reported. Also, the instrument-specific flow rates were determined regularly as this directly affects the mass concentration calculation. The mass-to-charge ratios (m/z) are calibrated using three or more peaks for all ToF mass spectrometers and two peaks for the Q-ACSM, typically including m/z 28 (N_2^+). This procedure was either automated with the help of the data acquisition software or carried out every couple of days.

To determine aerosol mass concentration, the ionization efficiency (IE) is calibrated using ammonium nitrate, and all other species’ mass concentrations are expressed in nitrate equivalent mass. Relative to the ionization efficiency of nitrate (IE_{NO_3}), ionization efficiencies of sulfate and ammonium (RIE_{SO_4} , typically between 0.6 and 1.2, RIE_{NH_4} , typically between 2.5 and 5 (ref. 58)) were determined. Refs 52,59 describe in detail the theory and the standard calibration procedures, the latter specifically for Q-ACSMs as suggested by the ACTRIS intercomparison facility. The IE and $RIEs$ were determined at the beginning of the measurement and then repeated regularly. Based on the high number of field and laboratory measurements with the aerosol mass spectrometers, it is known that not all particles flash vaporize but can bounce of the heater and are hence not detected⁵². To account for this, a correction factor, called collection efficiency (CE), is applied. For ambient measurements, CE is typically ~ 0.5 . However, factors such as particle water content or the nitrate fraction also play a role and a particle composition-dependent CE can be calculated⁶³. The CE applied to each station’s dataset is provided in Table 4.

The detection limit is typically determined by sampling particle-free air through a filter. The signal oscillates around zero and the detection limit is defined as three times the standard deviation specific to a certain time resolution. Table 5 shows the one-hour detection limits for all relevant mass spectrometer types. Data below the detection limit are not reported in the datasets.

Generally, results obtained from the Q-ACSM, ToF-ACSM and HR-ToF-AMS are in good agreement with $R^2 > 0.9$ for all species except chloride⁵⁹. There is some uncertainty in the determination of the organic aerosol (OA) mass concentration with the Q-ACMS due to variability in the detection of the ion CO_2^+ at m/z 44. This ion typically constitutes the largest single contribution to OA (f_{44}), but as discussed in a Q-ACSM intercomparison paper⁶², this f_{44} contribution can vary from 8.5 to 18.2% between instruments for the same aerosol. One factor contributing to the f_{44} variability is the generation of a CO_2^+ signal from the thermal decomposition of inorganic species on the instrument’s vaporizer and filament⁶⁴.

Table 4 provides details on the chemical composition data treatment protocol which includes information on the deployed instrument model, its operation mode, and acquisition and data processing

| Protocol name | site | aerosol mass spectrometer type | collection efficiency | Acquisition Software | Data processing package | references |
|---------------|--------------------|--------------------------------|--|--|--|------------|
| P_QACSM_CES* | Cabauw (CES) | Q-ACSM | Based on ref. 18 | Aerodyne ACSM Data Acquisition and Analysis Software | Aerodyne ACSM Data Acquisition and Analysis Software | 17,59 |
| P_QACSM_FIK | Finokalia (FIK) | Q-ACSM | 0.5 | Aerodyne ACSM Data Acquisition and Analysis Software | Aerodyne ACSM Data Acquisition and Analysis Software | 66,72 |
| P_TOFACSM_JFJ | Jungfraujoch (JFJ) | ToF-ACSM | 1 | Tofwerk Acqulity Software | Tofware for IGOR Pro | 58,67 |
| P_TOFAMS_MHD | Mace Head (MHD) | HR-ToF-AMS | a composition- dependent CE (Middlebrook <i>et al.</i> ⁶³ range: 0.45–0.97) | Aerodyne AMS Data Acquisition Software | Squirrel/PIKA for IGOR Pro | |
| P_QACSM_MEL* | Melpitz (MEL) | Q-ACSM | Based on Middlebrook <i>et al.</i> ⁶³ | Aerodyne ACSM Data Acquisition and Analysis Software | Aerodyne ACSM Data Acquisition and Analysis Software | 59 |
| P_QACSM_SMR* | Hyttialä (SMR) | Q-ACSM | 0.52 | Aerodyne ACSM Data Acquisition and Analysis Software | Aerodyne ACSM Data Acquisition and Analysis Software | 70 |

Table 4. Description of aerosol chemical data acquisition for each site including the instrument type, collection efficiency, acquisition and data processing software and references from the literature.

*These instruments participated in the 2013 intercomparison⁵⁹.

| Species | Q-ACSM ⁵⁷ | ToF-ACSM ⁵⁸ | HR-ToF-AMS ⁵⁴ |
|----------|----------------------|------------------------|--------------------------|
| ammonium | 201 | 23 | 5 |
| organics | 105 | 26 | 3 |
| sulfate | 17 | 2 | 1 |
| nitrate | 9 | 3 | < 1 |
| chloride | 8 | 1 | 2 |

Table 5. One-hour detection limits for various aerosol mass spectrometers types. Units are in ng m^{-3} and detection limits have been recalculated to the hour, based on equation 4 in ref. 58.

software, including the collection efficiency used to create the data record. References describing data acquisition and processing following the protocols are included. Protocols for chemical composition datasets are named 'P_typeofmassspectrometer_nameofstation'.

Station specific remarks

CES. Contrary to the other CES instruments, the Q-ACSM sampled from a 5 m high inlet with a $\text{PM}_{2.5}$ cyclone from the top of the facility building. The inlet line was 10 m long, the total flow was 9 l min^{-1} and the sample air was dried to $< 40\%$ RH. A site specific routine for the determination of the *CE* was applied based on ref. 18.

FIK. The ACSM was connected to the PM_{10} inlet and sampled aerosol through a PM_1 sharp cut cyclone (BGI Inc.) at 3.5 l min^{-1} . The aerosol was dried to $< 40\%$ before analysis with a nafion drier (TROPOS custom-built). The applied *CE* was 0.5 for all measured species. The *RIE* for NH_4^+ was set to 5.15 derived from the ammonium nitrate monodisperse aerosol calibration process, while *RIE* for SO_4^{2-} was set to 0.6, estimated by the fitting approach proposed by ref. 65. For all other species the default *RIE* values were used. The concentrations of non-sea salt particulate sulfate and ammonium were validated against results from concurrent PM_1 filter data analyzed with ion chromatography⁶⁶.

JFJ. On Jungfraujoch, a ToF-ACSM was operated⁶⁷ which was connected to the main aerosol inlet and with a bypass flow of 3 l min^{-1} in addition to the instrument's inlet flow of 0.14 l min^{-1} . The larger sample flow resulted from replacing the standard critical orifice of $100 \mu\text{m}$ in the inlet lens system with a $130 \mu\text{m}$ orifice to keep the mass flow similar to standard temperature and pressure operation conditions. Flow rate calibrations as well as the *IE* of nitrate and *RIEs* of sulfate and ammonium were carried out monthly or bimonthly and average values were applied to the data⁶⁷. The collection efficiency was determined to be $CE = 1$ based on comparison of the submicrometer aerosol mass derived by the SMPS and equivalent black carbon data from an optical measurement⁶⁷.

MHD. The HR-ToF-AMS was operated as described in ref. 68 behind the community sampling system. The concentrations of non-sea salt particulate sulfate, ammonium and nitrate were validated against results from ion chromatography⁶⁸. Different from other locations, at MHD also the contribution of sea salt to the submicrometer aerosol mass is reported. The quantification is based on ref. 69.

SMR. The Q-ACSM was operated 20 m away from the CCNC and DMPS at SMR, sampling from 4 m above ground behind a $\text{PM}_{2.5}$ cyclone to prevent dust and pollen from entering⁷⁰. The inlet was a 1 cm outer diameter stainless steel tube operated with a 3 l min^{-1} bypass flow. The aerosol sample air was dried. The *CE* is estimated yearly from a correlation study with the particle mass derived from the number size distribution measurements, taking into account black carbon concentrations, measured separately at SMR. Organic aerosol mass is verified via comparison with a semi-continuous organic carbon/elemental carbon analyzer⁷¹ (Sunset Laboratory Inc.).

There are no specific remarks for MEL.

Code availability

Table 6 provides information on the custom codes used to acquire and process the datasets.

Data Records

The aggregated data files (Data Citation 1) are available in standardized Network Common Data Form from figshare. A link to the data is also provided on the ACTRIS secondary data portal: <http://actris.nilu.no/Content/Products>. The files are self-explanatory as they contain all data and metadata, i.e. information about the global attributes, dimensions and variables. A large number of data fields is included within the global attributes in each file. Many were adopted from the National Center for Atmospheric Research Research Aviation Facility file format (<http://www.eol.ucar.edu/raf/software/netCDF.html>) such as coordinates, time coverage, etc. Additional fields include date of file creation, contact information,

| Item | link | Accessibility |
|--|---|---|
| All TROPOS custom codes (CCNC and SMPS) | | Available upon request from the corresponding authors |
| BRW CCNC analysis code | | Available upon request from the corresponding authors |
| All CES custom codes (CCNC, SMPS) | | Available upon request from the corresponding authors |
| All FIK customs codes (CCNC, SMPS, ACSM) | | Available upon request from the corresponding authors |
| All MHD custom codes/programs | http://macehead.org/ | Available upon request from the corresponding authors |
| All PUY custom codes (CCNC, SMPS) | | Available upon request from the corresponding authors |
| All SEO custom codes (CCNC, SMPS) | | Available upon request from the corresponding authors |
| All SMR custom codes (CCNC, SMPS) | | Available upon request from the corresponding authors |
| All VAV custom codes (CCNC, SMPS) | | Available upon request from the corresponding authors |
| All PSI custom codes (CCNC Toolkit, SMPS Toolkit) | | Available upon request from the corresponding authors |
| Scanning Mobility CCN Analysis Tool | http://nenes.eas.gatech.edu/Experiments/SMCA.html | |
| Aerodyne Q-ACSM acquisition and analysis software | https://sites.google.com/site/ariacsm/ | Registration and login required |
| Aqility ToF-ACSM acquisition software | www.tofwerk.com | License purchase required |
| Tofware for IGOR Pro for Q- and ToF-ACSM data analysis | www.tofwerk.com | License purchase required |
| HR-ToF-AMS data acquisition software | https://sites.google.com/site/tofamsdaq/ | From indicated webpage, registration and login required |
| AMS data analysis tools | http://cires1.colorado.edu/jimenez-group/ToFAMSResources/ToFSoftware/index.html | From indicated webpage, registration and login required |

Table 6. Availability of data acquisition and processing codes.

acknowledgment recommendations, type of platform, instrument information, measurement uncertainty, type of environment sampled, major atmospheric influences (e.g., biomass burning) etc. Table 7 lists the set of attributes ($n = 47$). The time stamp is standardized to seconds since 1 January 1970 UTC (UNIX time). Aerosol variable names are also standardized. All records are fully quality-controlled as described in section ‘Technical Validation’, invalid data have been removed and all missing data are flagged.

All data are stored in files separated by station and measurement instrument. All concentrations are corrected to standard temperature and pressure and the time stamp is the end of the averaging interval in UTC. In the NetCDF files, the version number and revision date are included.

The 11 data records from cloud condensation nuclei measurements can be found in files named ‘CCN_Instrument_Project[Database]_PlatformType_PlatformName[StationName]_Startdate_Enddate.nc’.

Table 2 describes the measurement methods, operational parameters and applied codes to create the CCN time series. The file contains the time series of CCN concentrations in cm^{-3} at each available supersaturation.

The 11 data records for particle size distribution measurements are available separately for each station named ‘NSD_Instrument_Project[Database]_PlatformType_PlatformName[StationName]_Startdate_Enddate.nc’. Table 3 provides details on the measurement instruments, operational parameters and applied codes to produce the size distribution time series. The files contain the time series of particle concentrations per size bin in the format $dN/d\log_{10}(d_p)$ in cm^{-3} , with N being the particle number concentration and d_p the bin diameter. The midpoint diameter of each size bin is provided in nm. From the size distribution the total number of particles was calculated and is provided in the files named ‘N_Instrument_Project[Database]_PlatformType_PlatformName[StationName]_Startdate_Enddate.nc’.

Chemical composition data from 6 stations is available in separate files named ‘Comp_Instrument_Project[Database]_PlatformType_PlatformName[StationName]_Startdate_Enddate.nc’. Table 4 lists the instrument types, operational parameters, applied codes and collection efficiencies to create the time series. The mass concentrations in $\mu\text{g m}^{-3}$ for each chemical component are provided.

Most of the primary measurement data included in the aggregated NetCDF data records are archived in the primary (no harmonization of data as applied in this work) data repository EBAS (<http://ebas.nilu.no>) in Nasa Ames 1001 format, the required format for ACTRIS and GAW-WDCA data. The files also include comprehensive metadata and quality measures defined within ACTRIS and GAW-WDCA. All submissions of ACTRIS and GAW-WDCA near-surface data are identified in the EBAS database with a

| Attribute name | Example content |
|-----------------------------|--|
| Additional_Data_Info | measured supersaturations spelled out as '0.1, 0.2, 0.3 %' |
| Altitude | refers to section of the atmosphere, e.g., free troposphere |
| Calibration_Material_Method | refers e.g., to an SOP |
| Cutoff_High_Diameter | 40 μm |
| Cutoff_Low_Diameter | 20 nm |
| Data_Contact | Email address |
| Data_Info | activation as CCN under various supersaturations, number concentration in cm^{-3} |
| Data_Source | EBAS |
| Environment | Europe, alpine, high-altitude, 40% in free troposphere |
| Error_Absolute | NaN |
| Error_Bias_Correction | details described in data descriptor |
| Error_Characteristics | counting error, accuracy of supersaturation determination from calibration, inlet flow |
| Error_Relative | supersaturation $\pm 10\%$, details described in data descriptor |
| File_ID | Syn_JFJ_CCN_2016-09-19.v1 |
| File_N_Var | NaN |
| File_Var_Name | NaN |
| Gassp Version | 1.0 |
| GASSP Version = * | 1.0 |
| Inlet_Sample_Flow_Dry | yes |
| Institute | Paul Scherrer Institute |
| Instrument | DMT cloud condensation nuclei counter |
| Measurement_Mode | monitoring |
| Model_Serial_Number | DMT CCN-100 model |
| Modification_Date | 2016-09-16 21:16:45.892727 |
| Other_Inlet_Info | total aerosol 20 nm to 40 μm ; Weingartner <i>et al.</i> ²³ , J. Geophys. Res., 104(D21), 26,809 to 26,820 |
| PI | Name 1, name 2, ..., name n |
| Platform | station |
| Platform_Name | Jungfraujoch |
| Project_Name | ACTRIS |
| Project_URL | see data descriptor |
| pT_Conditions | STP |
| Sampling_Conditions | 40 % in free troposphere |
| Season | all |
| Size_Definition | none |
| Software_Version = | write_EBAS_ACTRIS_level1_from_level0.py |
| Software_Version | write_option_files_EBAS_ACTRIS.py |
| Species_Short_Name | total |
| Station_Altitude | 3580 |
| Station_ID | GAW ID JFJ |
| Station_Lat | 49.33 |
| Station_Lon | 7.59 |
| Time_Coordinate | NaN |
| Time_Coordinate = | Time |
| Time_Coverage_End = | 31.12.2014 23:00 |
| Time_Coverage_Start = | 01.01.2012 00:00 |
| Time_Stamp_Info | UTC, dd.mm.yyyy hh.mm.ss |
| Variable_Class | CCN |

Table 7. List of attributes contained in the file metadata. *GASSP refers to the Global Aerosol Synthesis and Science Project through which the data were formatted to netCDF.

| Sample | File Name | Authors | latest version on EBAS primary database |
|---------------|---|--|---|
| BRW_CCN | CCN_DMT_cloud_condensation_nuclei_counter_station_Barrow_NOAA_BRW_Observatory_20.07.2007_25.06.2008.nc | Jefferson, A., Sheridan, P., Ogren, J. | |
| CES_CCN | CCN_DMT_cloud_condensation_nuclei_counter_station_Cesar_tower_Cabauw_ACTRIS_01.01.2012_31.12.2014.nc | Frumau, KFA, Kos, G., Hensen, A. | |
| FIK_CCN | CCN_DMT_cloud_condensation_nuclei_counter_station_Finokalia_ACTRIS_01.01.2014_31.12.2015.nc | Bougiatioti, A., Mihalopoulos, N., A., Nenes, A. | |
| JFJ_CCN | CCN_DMT_cloud_condensation_nuclei_counter_station_Jungfraujoch_ACTRIS_01.01.2012_31.12.2014.nc | Hammer, E., Schmale, J., Motos, G., Gysel, M. | link |
| MEL_CCN | CCN_DMT_cloud_condensation_nuclei_counter_station_Melpitz_ACTRIS_01.01.2012_31.12.2014.nc | Henning, S., Stratmann, F. | link |
| MHD_CCN | CCN_DMT_cloud_condensation_nuclei_counter_station_Mace_Head_ACTRIS_01.01.2011_31.12.2012.nc | Ovadnevaite, J., O'Dowd, C. | |
| NOT_CCN | CCN_DMT_cloud_condensation_nuclei_counter_station_NOTO_Groundbased_Research_Observatory_nan_01.05.2014_28.02.2015.nc | Iwamoto, Y., Kinouchi, K., Matsuki, A. | |
| PUY_CCN | CCN_mini_cloud_condensation_nuclei_counter_station_Puy_de_Dome_ACTRIS_01.01.2014_01.01.2015.nc | Picard, D., Sellegri, K. | |
| SEO_CCN | CCN_DMT_cloud_condensation_nuclei_counter_station_Seoul_South_Korea_nan_01.01.2006_31.12.2010.nc | Yum, S.S., Park, M. | |
| SMR_CCN | CCN_DMT_cloud_condensation_nuclei_counter_station_Smear_II_station_Hyytiälä_ACTRIS_01.01.2012_31.12.2014.nc | Paramonov, M., Aalto, P., Keskinen, H., Petäjä, T., Kulmala, M. | link |
| VAV_CCN | CCN_DMT_cloud_condensation_nuclei_counter_station_Vavihill_ACTRIS_20.12.2012_11.11.2014.nc | Krisstenson, A., Wittborn, C., Svenningsson, Frank, G., B., Swietlicki, E. | link |
| BRW_SIZE | NSD_custom_built_scanning_mobility_particle_sizer_station_Barrow_NOAA_BRW_Observatory_20.07.2007_25.06.2008.nc | Birmili, W., Jefferson, A., Ogren, J. | |
| BRW_Ntot | N_custom_built_scanning_mobility_particle_sizer_station_Barrow_NOAA_BRW_Observatory_20.07.2007_25.06.2008.nc | Birmili, W., Jefferson, A., Ogren, J. | |
| CES_SIZE | NSD_custom_built_scanning_mobility_particle_sizer_station_Cesar_tower_Cabauw_ACTRIS_01.01.2012_31.12.2014.nc | Henzing, J.S. | link |
| CES_Ntot | N_custom_built_scanning_mobility_particle_sizer_station_Cesar_tower_Cabauw_ACTRIS_01.01.2012_31.12.2014.nc | Henzing, J.S. | |
| FIK_SIZE | NSD_custom_built_scanning_mobility_particle_sizer_-TROPOS_type_station_Finokalia_ACTRIS_01.01.2014_31.12.2015.nc | Kalivitis, N., Mihalopoulos, N. | link |
| FIK_Ntot | N_custom_built_scanning_mobility_particle_sizer_-TROPOS_type_station_Finokalia_ACTRIS_01.01.2014_31.12.2015.nc | Kalivitis, N., Mihalopoulos, N. | |
| JFJ_SIZE | NSD_custom_built_scanning_mobility_particle_sizer_station_Jungfraujoch_ACTRIS_01.01.2012_31.12.2014.nc | Herrmann, E., Bukowiecki, N., Collaud Coen, M., Gysel, M. | link |
| JFJ_Ntot | N_custom_built_scanning_mobility_particle_sizer_station_Jungfraujoch_ACTRIS_01.01.2012_31.12.2014.nc | Herrmann, E., Bukowiecki, N., Collaud Coen, M., Gysel, M. | |
| MEL_SIZE | NSD_custom_built_tandem_scanning_mobility_particle_sizer_station_Melpitz_ACTRIS_01.01.2012_31.12.2014.nc | Sonntag, A., Wiedensohler, A. | link |
| MEL_Ntot | N_custom_built_tandem_scanning_mobility_particle_sizer_station_Melpitz_ACTRIS_01.01.2012_31.12.2014.nc | Sonntag, A., Wiedensohler, A. | |
| MHD_SIZE | NSD_custom_built_scanning_mobility_particle_sizer_station_Mace_Head_ACTRIS_01.01.2011_31.12.2012.nc | Ovadnevaite, J., O'Dowd, C. | link |
| MHD_Ntot | N_custom_built_scanning_mobility_particle_sizer_station_Mace_Head_ACTRIS_01.01.2011_31.12.2012.nc | Ovadnevaite, J., O'Dowd, C. | |
| NOT_SIZE | NSD_scanning_mobility_particle_sizer_station_NOTO_Groundbased_Research_Observatory_nan_01.05.2014_28.02.2015.nc | Iwamoto, Y., Kinouchi, K., Matsuki, A. | |
| NOT_Ntot | N_scanning_mobility_particle_sizer_station_NOTO_Groundbased_Research_Observatory_nan_01.05.2014_28.02.2015.nc | Iwamoto, Y., Kinouchi, K., Matsuki, A. | |
| PUY_SIZE | NSD_custom_built_differential_mobility_particle_sizer_station_Puy_de_Dome_ACTRIS_01.01.2014_01.01.2015.nc | Picard, D., Sellegri, K., Nicolas, J. | link |
| PUY_Ntot | N_custom_built_differential_mobility_particle_sizer_station_Puy_de_Dome_ACTRIS_01.01.2014_01.01.2015.nc | Picard, D., Sellegri, K., Nicolas, J. | |
| SEO_SIZE | NSD_scanning_mobility_particle_sizer_station_Seoul_South_Korea_nan_01.01.2006_31.12.2010.nc | Yum, S.S., Park, M. | |
| SEO_Ntot | N_scanning_mobility_particle_sizer_station_Seoul_South_Korea_nan_01.01.2006_31.12.2010.nc | Yum, S.S., Park, M. | |
| SMR_SIZE | NSD_custom_built_differential_mobility_particle_sizer_station_Smear_II_station_Hyytiälä_ACTRIS_01.01.2012_31.12.2014.nc | Aalto, P., Keskinen, H., L., Petäjä, T., Kulmala, M. | link |
| SMR_Ntot | N_custom_built_differential_mobility_particle_sizer_station_Smear_II_station_Hyytiälä_ACTRIS_01.01.2012_31.12.2014.nc | Aalto, P., Keskinen, H., L., Petäjä, T., Kulmala, M. | |
| VAV_SIZE | NSD_custom_built_twin_differential_mobility_particle_sizer_station_Vavihill_ACTRIS_20.12.2012_11.11.2014.nc | Krisstenson, A., Wittborn, C., Svenningsson, Frank, G., B., Swietlicki, E. | link |
| VAV_Ntot | N_custom_built_twin_differential_mobility_particle_sizer_station_Vavihill_ACTRIS_20.12.2012_11.11.2014.nc | Krisstenson, A., Wittborn, C., Svenningsson, Frank, G., B., Swietlicki, E. | |
| CES_chemistry | Comp_quadrapol_aerosol_chemical_speciation_monitor_station_Cesar_tower_Cabauw_ACTRIS_01.01.2012_31.12.2014.nc | Schlag, P., Frumau, A., Holzinger, R., Kiendler-Scharr, A. | link |
| FIK_chemistry | Comp_quadrapol_aerosol_chemical_speciation_monitor_station_Finokalia_ACTRIS_01.01.2014_31.12.2015.nc | Stavroulas, I., Bougiatioti, A., Mihalopoulos, N. | link |
| JFJ_chemistry | Comp_time-of-flight_aerosol_chemical_speciation_monitor_station_Jungfraujoch_ACTRIS_01.01.2012_31.12.2014.nc | Fröhlich, R. | link |
| MEL_chemistry | Comp_quadrapole_aerosol_chemical_speciation_monitor_station_Melpitz_ACTRIS_01.01.2012_31.12.2014.nc | Poulain, L. | link |
| MHD_chemistry | Comp_high_resolution_time-of-flight_aerosol_mass_spectrometer_station_Mace_Head_ACTRIS_01.01.2011_31.12.2012.nc | Ovadnevaite, J., O'Dowd, C. | link |
| SMR_chemistry | Comp_quadrapole_aerosol_chemical_speciation_monitor_station_Smear_II_station_Hyytiälä_ACTRIS_01.01.2012_31.12.2014.nc | Heikkinen, L., Äijälä, M., Keskinen, H., Aalto, P., Petäjä, T., Kulmala, M., Ehn, M. | link |

Table 8. List of file names within Data Citation 1 and their authors. Links are provided for the corresponding primary datasets on the EBAS data base where available. 'Primary dataset' in this context means that the data were submitted to EBAS prior to creating this combined dataset. The primary data might have a different time resolution and a different temporal coverage.

unique dataset identity number (ID-numbers). This makes potential changes and revised versions traceable; the latest revision date is included in the data files. The ID-numbers for all data available through EBAS that are also used in this aggregated data record are available upon request from EBAS. The link to the last version of data is always available online through the EBAS web interface and the ACTRIS data portal. Links to primary datasets archived in EBAS are included in Table 8 where available.

Technical Validation

The quality of the datasets was assured and assessed based on the three steps described below.

First, all data originators confirmed that they applied SOPs and recommendations provided by ACTRIS (available after registration at <http://actris.eu/>) or equivalent standards or user community established best practices. An overview of the ACTRIS SOPs is included in the ACTRIS Data Management Plan: (http://www.actris.eu/Portals/46/Publications/DataCentre/ACTRIS_Data_Management_Plan.pdf). The main points of each SOPs and recommendations are described in the 'Methods' section. ACTRIS provides documents for the operation of aerosol inlets, and operation and data processing of aerosol size distribution and cloud condensation nuclei measurements. ACTRIS recommendations are based on or complementary to the World Meteorological Organization Global Atmosphere Watch, the Atmospheric Composition Change: a European Network, the European Monitoring and Evaluation Program and the European Supersites for Atmospheric Aerosol Research recommendations. The recommendations are harmonized across the various frameworks. Aerosol chemical composition measurements and data analysis followed procedures as described by ref. 59 in the case of the Q-ACSM, ref. 58 for the ToF-ACSM, and the best practice compendium for ACSM types as described here: <https://www.psi.ch/acsm-stations/acsm-best-practice>. Within the user community of the HR-ToF-AMS established procedures exist as well (http://cires1.colorado.edu/jimenez-group/wiki/index.php?title=ToF-AMS_Main). In addition, several of the particle mobility size spectrometers and aerosol mass spectrometers have participated in intercomparison exercises. Those instruments are marked with "✓" in Table 3 and Table 4. Deviations from the general recommendations are described in the 'Methods' section if applicable.

Second, in the case of not having published the data in a peer-reviewed journal, each originator checked their data manually for plausibility and time periods that do not reflect ambient values (e.g., removal of calibration periods or local contamination) as recommended by the World Data Center for Aerosols (WDCA: <http://www.gaw-wdca.org/SubmitData.aspx>). In case of prior publication, quality assurance has been described in the references as listed in Tables 3,4,5 and 9. Note that for all aerosol chemical data the instruments have either participated in an intercomparison exercise or the dataset has been published already. Table 9 includes also information on whether data were already publicly available on the EBAS data base as a level 1 dataset. Level 1 data means that all steps in measuring and data processing are quality assured, invalid data have been removed and the data are provided in standard temperature and pressure and in native time resolution (<http://www.gaw-wdca.org/SubmitData/AdvancedDataReporting/Level1.aspx>).

Third, even when operators follow SOPs and recommendations as closely as possible there is always a chance of instrumental drifts or minor malfunctioning. This can especially be the case for monitoring type observations where instruments are not constantly overseen and visits occur only several times a year. Hence, we here provide general quality check metrics. We specifically emphasize CCN data checks since there has not yet been an intercomparison or calibration exercise for this type of instrument. For the chemical composition data, we summarize the validation results from the literature since all instruments participated either in an intercomparison exercise or datasets have already been published.

CCN and size distribution data

For all the time series of CCN data it was checked that the number concentration of CCN at higher supersaturations exceeded that of lower supersaturations. To validate that the number of activated particles is determined correctly, we compared total CCN concentrations at 1.0% supersaturation to the total particle number concentration determined from the size distribution measurements. At 1.0% supersaturation most particles activate and the concentrations from the two instruments are comparable under certain constraints.

Figure 4 compares the integrated particle size distributions with the counted activated particles for all instances in which the contribution of particles < 30 nm (N_{30}) is at most 10% (middle panels) and between 10 and 20% (right panels). When many small particles are present, a match on the 1:1 line is not expected, since these small particles might be below the activation diameter and are hence not counted by the CCNC. The black solid line indicates the perfect match. At most stations, many points lie within the dashed lines denoting the propagated 10% counting error of both instruments (22.4% in total) that is generally expected^{38,50}. However, in many cases there is also a potential bias towards undercounting CCN as can be seen in the left panels that show the median, interquartile range, 10th and 90th percentiles as well as points beyond the 2.5th and 97.5th percentiles for the ratio of total particle number to activated particles when the contribution of N_{30} is smaller than 10% ($N_{30 < 10\%}/CCN_{1.0}$). The box in each left panel includes information on the number of points (*pnts*), the geometric median (*GeoMean*) and the geometric standard deviation (*GSD*). The grey dashed lines indicate the 22.4% interval around the 1:1 line. The bias is only potential, because particles with a diameter slightly larger than 30 nm might not

| Station | CCNC | | | Mobility particle spectrometer | | | Aerosol mass spectrometer | | |
|---------|-------------------|-------------|--------------------------------|---|-------------|--------------------------------|---|------------------|--------------------------------|
| | Inter-comparison* | publication | available in EBAS [†] | Intercomparison [†] | publication | available on EBAS [‡] | Inter-comparison | publication | available in EBAS [‡] |
| BRW | n.a. | | | n.a. | | | no instrument | | |
| CES | n.a. | | | participated, 2009 (ref. 50) | | yes | passed, Dec. 2013 ⁵⁹ | | yes |
| FIK | n.a. | | yes | June 2009 on-site auditing September 2013 passed lab intercomparison January 2016 passed lab intercomparison | | yes | with collocated PM ₁ filter data | | yes |
| JFJ | n.a. | | | participated, 2009 (ref. 50) passed, Jul. 2011, May 2014 | | yes | does not apply (prototype instrument) | | yes |
| MEL | n.a. | | yes | (ref. 50), 2011 good on-site intercomparison, May/Jun. 2013 passed lab intercomparison, Jul. 2013 installation of new TSMPS after passed intercomparison, Aug. 2013 removal of old TDMPs, agreement between old and new within required boundaries, 2015 passed on-site intercomparison | | yes | passed, Dec. 2013 ⁵⁹ , and Mar. 2016 | | yes |
| MHD | n.a. | | | participated, 2009 (ref. 50) recommendations for improvement received Oct. 2012 | | yes | does not apply (different instrument type) | ^{68, §} | yes |
| NOT | n.a. | | | n.a. | | | data not yet processed | | |
| PUY | n.a. | | | passed, Oct. 2013 | | yes | no instrument | | |
| SEO | n.a. | | | n.a. | | | no instrument | | |
| SMR | n.a. | | yes | participated, 2009 (ref. 50) passed, May 2016 | | yes | passed, Dec. 2013 (ref. 59), and Mar. 2016 | | yes |
| VAV | n.a. | | | passed, Oct. 2013 | | yes | no instrument | | |

Table 9. Overview of datasets that have already been published, that were obtained from instruments that passed an intercomparison exercise at the World Calibration Center for Aerosol Physics (WCCAP) or that were obtained from instruments that were compared to an instrument that passed an intercomparison exercise. Note that intercomparisons for CCNCs were not introduced before 2016 (denoted as n.a. = not available).

*the first CCNC intercomparison will take place in fall 2016 at the European Center for Aerosol Calibration.

[†]reports are available from the European Center for Aerosol Calibration (<http://www.actris-ecac.eu/contact.php>).

[‡]as of 24 August 2016 as a primary dataset on <http://actris.nilu.no/>, archived in EBAS.

[§]ref. 68 describes the data quality and instrument reliability for the site, but does not discuss the dataset included here as it covers an earlier time period.

activate either, as well as larger particles that are non- or only slightly hygroscopic. This means that values of the ratios $N_{30 < 10\%}/CCN_{1.0}$ presented here can only be partly indicative of the accuracy of the measurements. It is important to note, that all slopes are larger than one meaning that the CCNC measurements did not overestimate the particle concentration at any of these stations. The width of the interquartile range or the geometric standard deviation (because data are not necessarily normally distributed) can show how reliably and comparably the two instruments operated over time. For example, if one of the instruments drifted, the interquartile range or GSD would become larger. These two parameters would, however, not be impacted by a systematic stable bias in either one or both instruments.

At locations with relatively high contributions of small particles such as SMR and VAV, a larger spread can be observed together with a higher $N_{30 < 10\%}/CCN_{1.0}$ ratio, which is expected. Note that at VAV only for a very small number of instances (86) the contribution of N_{30} is below 10% and therefore the statistical analysis of this quality check is less robust than at other stations. At FIK, where also a high $N_{30 < 10\%}/CCN_{1.0}$ ratio is observed, it has to be taken into account that larger mineral dust particles or biomass burning aerosol are present⁷² which are less hygroscopic and may impair the comparison.

At JFJ, as mentioned in the 'Methods' section the CCN concentrations were underestimated by about 40% in 2012 and overestimated by roughly 30% in 2013. From a detailed comparison of the SMPS with a CPC it is known that the bias stems from the CCNC. In addition, the under- and overestimations are

consistent over the range of applied supersaturations which suggests a systematic quantification error. For that reason, the dataset has been corrected as shown for 1% supersaturation in Fig. 4.

At CES the CCN number concentration is strongly underestimated. The fact that many small particles are present at this station can only partly explain the bias. Examination of the bias at various supersaturations revealed that the underestimation is a function of the applied supersaturation. At higher supersaturations the underestimation becomes larger suggesting that small particles, activating at higher supersaturation, were not sufficiently accounted for by the CCNC. Not being due to insufficient droplet growth to the detection limit of 1 μm , the bias most likely owes to particle losses in the sampling line leading to the CCNC. Since this cannot be accounted for across the various supersaturations, the dataset has not been corrected. Users must hence apply caution when using and interpreting the data. Discrepancies are as large as a factor of 2.8 in the median.

At stations with monodisperse data not including 1% supersaturation, a different quality check approach was used. Figure 5 (right panels) shows the integrated particle number size distribution above the diameter indicated in the subscript versus the integrated CCN number size distribution above the same diameter at a certain supersaturation. The selected diameter is larger than the expected activation diameter while at the same time the number of externally mixed non-hygroscopic particles is very low since these types of particles can impair the comparison. Supersaturations and cut-off diameters were chosen based on ref. 73 for PUY and ref. 29 for NOT. For Melpitz, a supersaturation of 0.3% was chosen as it represents best the supersaturation at which local clouds form. Based on long-term aerosol number size distribution measurements at the site^{26,27}, the accumulation mode was found to reach down to 80 nm which was hence chosen as lower cut-off diameter. At PUY 84% of the data lie within the expected 22.4% counting uncertainty range. At Melpitz 60% lie within this range and at NOT 45%. Deviations from the 1:1 line and a spread in the data are expected due to varying ambient conditions in which the chosen cut-off diameter does not represent the actual activation diameter.

A quality check for the data from SEO in the forms presented above is not possible as the maximum supersaturation was 0.8% and measurements were polydisperse. Hence we plot the $CCN_{0.8}$ number concentration against the integrated particle number size distribution larger than 43, 49 and 60 nm, corresponding to a hygroscopicity parameter κ of 0.3, 0.2 and 0.1, respectively (Fig. 6). A value of 0.3 has been identified as a global average for continental and urban particles⁷⁴, while several other studies found κ to be around 0.2, and even as low as 0.1, in urban environments with fresh emissions^{75–77}. For Seoul, a low κ value of 0.1 seems realistic as the corresponding size cut-off yields the best correlation between the datasets and the slope of the linear fit is closest to the 1:1 line within the tested range, indicating that the activation diameter is near 60 nm. The width of the interquartile range is comparable to those of other stations with polydisperse measurements, indicating that the instruments ran reliably.

Aerosol chemical composition

For all Q-ACSM data the uncertainty in determining the total non-refractory submicrometer mass is 9%, while for the individual chemical components it is 15% for nitrate, 28% for sulfate, 36% for ammonium and 19% for organic matter⁵⁹. Chloride concentrations were mostly near the detection limit and are not reported except for MHD, CES and FIK. For CES, correlation of chloride from the Q-ACSM to a reference instrument is, however, low with $R=0.49$ (ref. 17). At FIK, Q-ACSM concentrations for particulate sulfate and ammonium were compared to collocated PM_{10} filter measurements and deviated on average 19 and 15%, respectively. Particulate organics concentrations deviated on average 10% from filter based measurements⁶⁶. The ToF-ACSM data at Jungfrauoch represents most of the time >80% of the total submicrometer particle mass derived from the SMPS data⁶⁷. At MHD, the HR-ToF-AMS mass concentrations of non-sea salt sulfate, ammonium and nitrate were compared against external datasets and showed good agreement⁶⁸.

Usage Notes

The standardized NetCDF format allows for quickly loading the data into software commonly used in the atmospheric science community including the freely available software 'R'. For more details on the format and how to access NetCDF data see <http://www.unidata.ucar.edu/software/netcdf/>. The files are self-explanatory as they contain all metadata and data.

The time series of the variables are designed such that they can be used without further processing. To derive the particle number concentrations from the size distributions, the area of the curve of $dN/d\log(D)$ versus the bin diameter must be integrated taking the logarithm (\log_{10}) of the bin spacing into account:

$$N_{tot} = \int_{D_{min}}^{D_{max}} \frac{dN(D)}{d\log D} d\log D$$

With N_{tot} = total particle number concentration, dN = number of particles per size bin, D = bin diameter. Total number concentration data is provided so users can double check their integration methods. Depending on the specific purpose, the data can also be treated with a variety of statistical analysis methods. However, users must keep in mind the uncertainties discussed in the 'Technical Validation' section. To determine whether atmospheric conditions were within the expected variability or exceptional for the available data record periods, we recommend users to work with complementary data such as

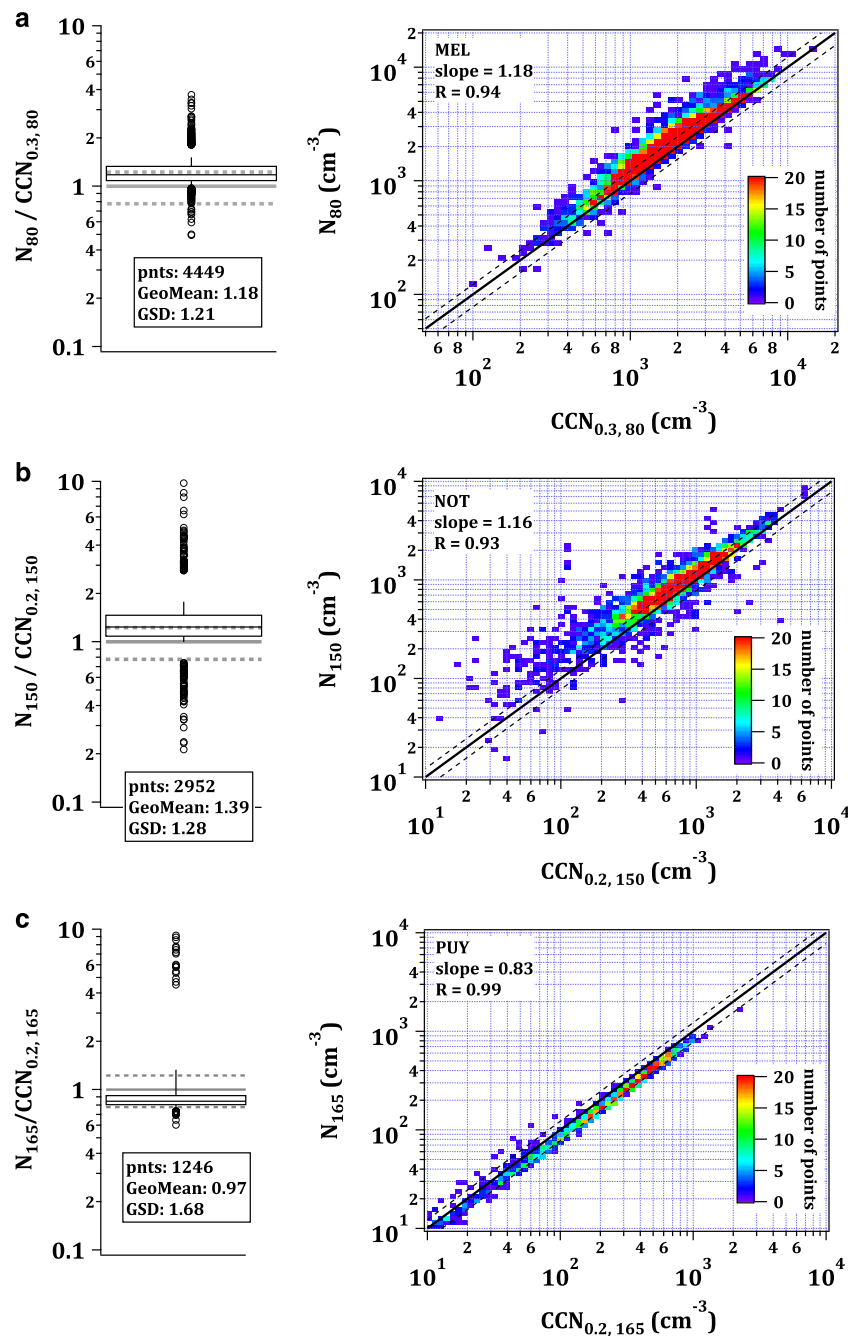


Figure 5. Monodisperse CCN data quality check for MEL, NOT and PUY (a), (b) and (c), respectively. Right panels: scatter plots for CCN number concentration at a certain supersaturation versus the integrated particle number from size distribution measurements greater than the indicated diameter in the subscript (in nm). The black line denotes the 1:1 line and the dashed black lines indicate the range of expected uncertainty from particle counting. Left panels: box and whiskers plots as explained in Fig. 4.

ERA-Interim (a global atmospheric reanalysis product available from <http://apps.ecmwf.int/datasets/>) or similar products. For some locations, complementary data on aerosol optical properties or trace gas species can be obtained from the EBAS database (<http://ebas.nilu.no/>).

We encourage users to utilize the data for the following purposes (this is a non-exhaustive list):

- Detailed understanding of aerosol properties: A synthesized analysis including all variables can be produced in which aerosol characteristics can be explored and compared among different environments (e.g., remote marine versus high-altitude), throughout various seasons and large scale

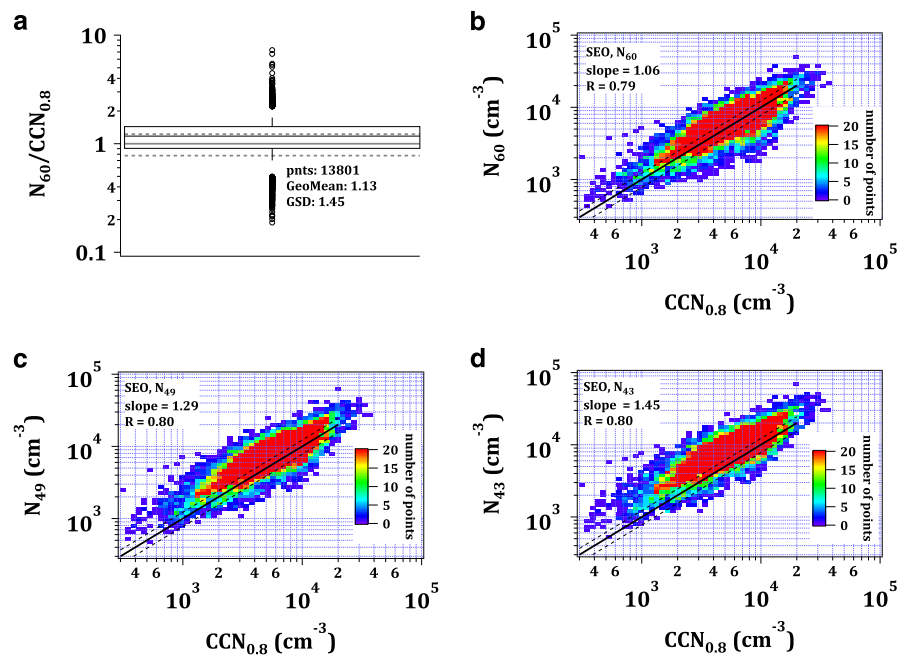


Figure 6. Correlation of particle number with $CCN_{0.8}$ for SEO. Results shown in panels **b**, **c** and **d** are for N_{60} , N_{49} and N_{43} , respectively, using logarithmic bins with the color code indicating the number of points per bin. The slope and correlation coefficient of each fit are given in panel **a**. The black solid line is the 1:1 line, the black dashed lines indicate the 22.4% counting uncertainty range, grey solid lines indicate the 60% counting uncertainty range. The upper left panel shows the box and whiskers plot for the N_{60} to $CCN_{0.8}$ ratio as described for Fig. 4.

weather patterns (e.g., Monsoon or Arctic Haze). Also, further variables can be calculated from the datasets. For example, combining the size distribution data with the CCN number concentration, the fraction of activated particles can be derived whereby a common lower cut-off diameter (e.g., 30 nm) can be defined for maximal comparability between sites. Similarly, the particle diameter at which particles activate can be calculated following the steps as described in detail in ref. 11. Also, the hygroscopicity parameter κ of the bulk aerosol population can be determined, following the instructions in ref. 14.

- Improving satellite data retrievals and model representation of cloud droplet formation: Recent publications have shown that in-situ CCN data in combination with updraft information can be used to develop and improve estimates of CCN or cloud droplet number concentration from satellite observations^{1,78}. The same data can be used to derive the direct sensitivity of cloud to aerosol perturbations for model and satellite evaluation^{72,79}, and to understand the relative contribution of aerosol and dynamic parameters in the variability of droplet formation⁸⁰.
- Evaluating models' representation of aerosol properties: Recent work^{4,81} has shown how important in-situ aerosol measurements are to help constrain the uncertainty in aerosol-cloud processes related to radiative forcing. The dataset will allow the modelling community to test their results against particle number size distributions, CCN number concentration and chemical composition. Comparing global climate model output with measurements at this level of detail is necessary as the complex climate models rely on these variables for climate projections. Models that focus more on the chemical and microphysical aerosol processes as well as their transport in the atmosphere can also benefit from this dataset. In particular, the ACSM dataset can be harnessed to evaluate models' representation of particulate organics using the volatility basis set or similar schemes. This dataset provides new data covering full annual cycles, which makes more comprehensive comparisons possibly than in previous efforts covering only very limited time periods^{82–89}.

References

1. Rosenfeld, D. *et al.* Global observations of aerosol-cloud-precipitation-climate interactions. *Rev. Geophys.* **52**, 750–808, doi:10.1002/2013RG000441 (2014).
2. Boucher, O. *et al.* in *Climate Change 2013: The Physical Science Basis. Contribution of Working Group I to the Fifth Assessment Report of the Intergovernmental Panel on Climate Change*, eds Stocker T. F. *et al.* Ch. 7, 571–658 (Cambridge University Press, 2013).
3. Rosenfeld, D. *et al.* Flood or drought: How do aerosols affect precipitation? *Science* **321**, 1309–1313 (2008).
4. Lee, L. A. *et al.* The magnitude and causes of uncertainty in global model simulations of cloud condensation nuclei. *Atmos. Chem. Phys.* **13**, 8879–8914 (2013).

5. Seinfeld, J. H. *et al.* Improving our fundamental understanding of the role of aerosol – cloud interactions in the climate system. *Proceedings of the National Academy of Sciences* **113**, 5781–5790 (2016).
6. Shinozuka, Y. *et al.* The relationship between cloud condensation nuclei (CCN) concentration and light extinction of dried particles: indications of underlying aerosol processes and implications for satellite-based CCN estimates. *Atmos. Chem. Phys.* **15**, 7585–7604 (2015).
7. Ervens, B. *et al.* Prediction of cloud condensation nucleus number concentration using measurements of aerosol size distributions and composition and light scattering enhancement due to humidity. *Journal of Geophysical Research: Atmospheres* **112**, D10S32 (2007).
8. Paramonov, M. *et al.* A synthesis of cloud condensation nuclei counter (CCNC) measurements within the EUCAARI network. *Atmos. Chem. Phys.* **15**, 12211–12229 (2015).
9. Rose, D. *et al.* Cloud condensation nuclei in polluted air and biomass burning smoke near the mega-city Guangzhou, China—Part 1: Size-resolved measurements and implications for the modeling of aerosol particle hygroscopicity and CCN activity. *Atmos. Chem. Phys.* **10**, 3365–3383 (2010).
10. Andreae, M. O. Correlation between cloud condensation nuclei concentration and aerosol optical thickness in remote and polluted regions. *Atmos. Chem. Phys.* **9**, 543–556 (2009).
11. Jurányi, Z. *et al.* A 17 month climatology of the cloud condensation nuclei number concentration at the high alpine site Jungfraujoch. *Journal of Geophysical Research: Atmospheres* **116**, D10204 (2011).
12. Lund Myhre, C. & Baltensperger, U. *Recommendations for a Composite Surface-Based Aerosol Network* (World Meteorological Organization, 2012).
13. Dusek, U. *et al.* Size matters more than chemistry for cloud-nucleating ability of aerosol particles. *Science* **312**, 1375–1378 (2006).
14. Petters, M. D. & Kreidenweis, S. M. A single parameter representation of hygroscopic growth and cloud condensation nucleus activity. *Atmos. Chem. Phys.* **7**, 1961–1971 (2007).
15. Wiedensohler, A., Birmili, W. & Ogren, J. A. *ACTRIS recommendation for aerosol inlets and sampling tubes* <<http://www.wmo-gaw-wcc-aerosol-physics.org/files/WCCAP-recommendation-for-aerosol-inlets-and-sampling-tubes.pdf>> (2014).
16. Sheridan, P. J., Delene, D. J. & Ogren, J. A. Four years of continuous surface aerosol measurements from the Department of Energy's Atmospheric Radiation Measurement Program Southern Great Plains Cloud and Radiation Testbed site. *Journal of Geophysical Research: Atmospheres* **106**, 20735–20747 (2001).
17. Schlag, P. *et al.* Aerosol source apportionment from 1 year measurements at the CESAR tower at Cabauw, the Netherlands. *Atmos. Chem. Phys.* **16**, 8831–8847 (2016).
18. Mensah, A. A. *et al.* Aerosol chemical composition at Cabauw, The Netherlands as observed in two intensive periods in May 2008 and March 2009. *Atmos. Chem. Phys.* **12**, 4723–4742 (2012).
19. Henzing, J. S. Interactive comment on: 'Number size distributions and seasonality of submicron particles in Europe 2008–2009' by A. Asmi *et al.* *Atmos. Chem. Phys. Discuss* **11**, C3137–C3142 (2011).
20. Mihalopoulos, N., Stephanou, E., Kanakidou, M., Pilitsidis, S. & Bousquet, P. Tropospheric aerosol ionic composition in the Eastern Mediterranean region. *Tellus B* **49**, 314–326 (1997).
21. Bukowiecki, N. *et al.* A review of more than 20 years of aerosol observation at the high altitude research station Jungfraujoch, Switzerland (3580 m asl). *Aerosol Air Qual. Res* **16**, 764–788 (2016).
22. Herrmann, E. *et al.* Analysis of long-term aerosol size distribution data from Jungfraujoch with emphasis on free tropospheric conditions, cloud influence, and air mass transport. *Journal of Geophysical Research: Atmospheres* **120**, 9459–9480 (2015).
23. Weingartner, E., Nyeki, S. & Baltensperger, U. Seasonal and diurnal variation of aerosol size distributions (10 < D < 750 nm) at a high-alpine site (Jungfraujoch 3580 m asl). *Journal of Geophysical Research: Atmospheres* **104**, 26809–26820 (1999).
24. O'Dowd, C. *et al.* Do anthropogenic, continental or coastal aerosol sources impact on a marine aerosol signature at Mace Head? *Atmos. Chem. Phys.* **14**, 10687–10704 (2014).
25. Kleefeld, C. *et al.* Relative contribution of submicron and supermicron particles to aerosol light scattering in the marine boundary layer. *Journal of Geophysical Research: Atmospheres* **107**, PAR 8-1-PAR 8-13 (2002).
26. Engler, C. *et al.* Size distributions of non-volatile particle residuals (D < sub>p < /sub>< 800 nm) at a rural site in Germany and relation to air mass origin. *Atmos. Chem. Phys.* **7**, 5785–5802 (2007).
27. Birmili, W., Wiedensohler, A., Heintzenberg, J. & Lehmann, K. Atmospheric particle number size distribution in central Europe: Statistical relations to air masses and meteorology. *Journal of Geophysical Research-Atmospheres* **106**, 32005–32018 (2001).
28. Tuch, T. M. *et al.* Design and performance of an automatic regenerating adsorption aerosol dryer for continuous operation at monitoring sites. *Atmos. Meas. Tech.* **2**, 417–422 (2009).
29. Iwamoto, Y., Kinouchi, K., Watanabe, K., Yamazaki, N. & Matsuki, A. Simultaneous measurement of CCN activity and chemical composition of fine-mode aerosols at Noto peninsula, Japan, in autumn 2012. *Aerosol Air Qual. Res.* **16**, 2107–2118 (2016).
30. Venzac, H., Sellegri, K., Villani, P., Picard, D. & Laj, P. Seasonal variation of aerosol size distributions in the free troposphere and residual layer at the puy de Dôme station, France. *Atmos. Chem. Phys.* **9**, 1465–1478 (2009).
31. Freney, E. *et al.* Experimental evidence of the feeding of the free troposphere with aerosol particles from the mixing layer. *Aerosol Air Qual. Res.* **16**, 702–716 (2016).
32. Kim, J. H. *et al.* On the submicron aerosol distributions and CCN number concentrations in and around the Korean Peninsula. *Atmos. Chem. Phys.* **14**, 8763–8779 (2014).
33. Hari, P. & Kulmala, M. Station for measuring ecosystem-atmosphere relations. *Boreal Environ. Res* **10**, 315–322 (2005).
34. Tunved, P. *et al.* One year boundary layer aerosol size distribution data from five nordic background stations. *Atmos. Chem. Phys.* **3**, 2183–2205 (2003).
35. Fors, E. O. *et al.* Hygroscopic properties of the ambient aerosol in southern Sweden—a two year study. *Atmos. Chem. Phys.* **11**, 8343–8361 (2011).
36. Roberts, G. C. & Nenes, A. A continuous-flow streamwise thermal-gradient CCN chamber for atmospheric measurements. *Aerosol Sci. Technol* **39**, 206–221 (2005).
37. Lance, S., Nenes, A., Medina, J. & Smith, J. N. Mapping the operation of the DMT continuous flow CCN counter. *Aerosol Sci. Technol* **40**, 242–254 (2006).
38. Gysel, M. & Stratmann, F. WP3-NA3: *In-situ chemical, physical and optical properties of aerosols Deliverable D3.11: Standardized protocol for CCN measurements* <http://www.actris.net/Portals/97/Publications/quality%20standards/aerosol%20insitu/WP3_D3.13_M24_CCNC_SOP_v130514.pdf> (2014).
39. WMO. *WMO/GAW Aerosol Measurement Procedures, Guidelines and Recommendations*, GAW Report Nr. 227, 2nd Edition, (World Meteorological Organisation Geneva, 2016).
40. Raatikainen, T. *et al.* CCN data interpretation under dynamic operation conditions. *Aerosol Sci. Technol.* **48**, 552–561 (2014).
41. Rose, D. *et al.* Calibration and measurement uncertainties of a continuous-flow cloud condensation nuclei counter (DMT-CCNC): CCN activation of ammonium sulfate and sodium chloride aerosol particles in theory and experiment. *Atmos. Chem. Phys.* **8**, 1153–1179 (2008).
42. Topping, D. O., McFiggans, G. B. & Coe, H. A curved multi-component aerosol hygroscopicity model framework: Part 1—Inorganic compounds. *Atmos. Chem. Phys.* **5**, 1205–1222 (2005).

43. Bougiatioti, A. *et al.* Cloud condensation nuclei measurements in the marine boundary layer of the eastern Mediterranean: CCN closure and droplet growth kinetics. *Atmos. Chem. Phys.* **9**, 7053–7066 (2009).
44. Gysel, M., Weingartner, E. & Baltensperger, U. Hygroscopicity of aerosol particles at low temperatures. 2. Theoretical and experimental hygroscopic properties of laboratory generated aerosols. *Environ. Sci. Technol.* **36**, 63–68 (2002).
45. Latham, T. L. & Nenes, A. Water vapor depletion in the DMT continuous-flow CCN chamber: effects on supersaturation and droplet growth. *Aerosol Sci. Technol.* **45**, 604–615 (2011).
46. Henning, S. *et al.* Influence of cloud processing on CCN activation behaviour in the Thuringian Forest, Germany during HCCT-2010. *Atmos. Chem. Phys.* **14**, 7859–7868 (2014).
47. Moore, R. H., Nenes, A. & Medina, J. Scanning mobility CCN analysis—a method for fast measurements of size-resolved CCN distributions and activation kinetics. *Aerosol Sci. Technol.* **44**, 861–871 (2010).
48. Sullivan, R. C. *et al.* Effect of chemical mixing state on the hygroscopicity and cloud nucleation properties of calcium mineral dust particles. *Atmos. Chem. Phys.* **9**, 3303–3316 (2009).
49. Paramonov, M. *et al.* The analysis of size-segregated cloud condensation nuclei counter (CCNC) data and its implications for cloud droplet activation. *Atmos. Chem. Phys.* **13**, 10285–10301 (2013).
50. Wiedensohler, A. *et al.* Mobility particle size spectrometers: harmonization of technical standards and data structure to facilitate high quality long-term observations of atmospheric particle number size distributions. *Atmos. Meas. Tech.* **5**, 657–685 (2012).
51. Jayne, J. T. *et al.* Development of an aerosol mass spectrometer for size and composition analysis of submicron particles. *Aerosol Sci. Technol.* **33**, 49–70 (2000).
52. Canagaratna, M. R. *et al.* Chemical and microphysical characterization of ambient aerosols with the aerodyne aerosol mass spectrometer. *Mass Spectrom. Rev.* **26**, 185–222 (2007).
53. Drewnick, F. *et al.* A new time-of-flight aerosol mass spectrometer (TOF-AMS)—Instrument description and first field deployment. *Aerosol Sci. Technol.* **39**, 637–658 (2005).
54. DeCarlo, P. F. *et al.* Field-deployable, high-resolution, time-of-flight aerosol mass spectrometer. *Analytical Chemistry* **78**, 8281–8289 (2006).
55. Zhang, Q. *et al.* Ubiquity and dominance of oxygenated species in organic aerosols in anthropogenically-influenced Northern Hemisphere midlatitudes. *Geophysical Research Letters* **34**, 6 L13801 (2007).
56. Jimenez, J. L. *et al.* Evolution of Organic Aerosols in the Atmosphere. *Science* **326**, 1525–1529 (2009).
57. Ng, N. L. *et al.* An Aerosol Chemical Speciation Monitor (ACSM) for Routine Monitoring of the Composition and Mass Concentrations of Ambient Aerosol. *Aerosol Sci. Technol.* **45**, 780–794 (2011).
58. Fröhlich, R. *et al.* The ToF-ACSM: a portable aerosol chemical speciation monitor with TOFMS detection. *Atmos. Meas. Tech.* **6**, 3225–3241 (2013).
59. Crenn, V. *et al.* ACTRIS ACSM intercomparison—Part 1: Reproducibility of concentration and fragment results from 13 individual Quadrupole Aerosol Chemical Speciation Monitors (Q-ACSM) and consistency with co-located instruments. *Atmos. Meas. Tech.* **8**, 5063–5087 (2015).
60. Liu, P. S. K. *et al.* Transmission efficiency of an aerodynamic focusing lens system: Comparison of model calculations and laboratory measurements for the Aerodyne Aerosol Mass Spectrometer. *Aerosol Sci. Technol.* **41**, 721–733 (2007).
61. Allan, J. D. *et al.* A generalised method for the extraction of chemically resolved mass spectra from aerodyne aerosol mass spectrometer data. *J. Aerosol. Sci.* **35**, 909–922 (2004).
62. Fröhlich, R. *et al.* ACTRIS ACSM intercomparison—Part 2: Intercomparison of ME-2 organic source apportionment results from 15 individual, co-located aerosol mass spectrometers. *Atmos. Meas. Tech.* **8**, 2555–2576 (2015).
63. Middlebrook, A. M., Bahreini, R., Jimenez, J. L. & Canagaratna, M. R. Evaluation of composition-dependent collection efficiencies for the Aerodyne aerosol mass spectrometer using field data. *Aerosol Sci. Technol.* **46**, 258–271 (2012).
64. Pieber, S. M. *et al.* Inorganic Salt Interference on CO₂⁺ in Aerodyne AMS and ACSM Organic Aerosol Composition Studies. *Environ. Sci. Technol.* **50**, 10494–10503 (2016).
65. Budisulistiorini, S. H. *et al.* Intercomparison of an Aerosol Chemical Speciation Monitor (ACSM) with ambient fine aerosol measurements in downtown Atlanta, Georgia. *Atmos. Meas. Tech.* **7**, 1929–1941 (2014).
66. Bougiatioti, A. *et al.* Processing of biomass-burning aerosol in the eastern Mediterranean during summertime. *Atmos. Chem. Phys.* **14**, 4793–4807 (2014).
67. Fröhlich, R. *et al.* Fourteen months of on-line measurements of the non-refractory submicron aerosol at the Jungfraujoch (3580 m a.s.l.)—chemical composition, origins and organic aerosol sources. *Atmos. Chem. Phys.* **15**, 11373–11398 (2015).
68. Ovadnevaite, J. *et al.* Submicron NE Atlantic marine aerosol chemical composition and abundance: Seasonal trends and air mass categorization. *Journal of Geophysical Research: Atmospheres* **119**, 11,850–11,863 (2014).
69. Ovadnevaite, J. *et al.* On the effect of wind speed on submicron sea salt mass concentration and source fluxes. *J. Geophys. Res.* **117** (2012).
70. Zieger, P. *et al.* Low hygroscopic scattering enhancement of boreal aerosol and the implications for a columnar optical closure study. *Atmos. Chem. Phys.* **15**, 7247–7267 (2015).
71. Äijälä, M. *et al.* Chemometric analysis of aerosol mass spectra: exploratory methods to extract and classify anthropogenic aerosol chemotypes. *Atmos. Chem. Phys. Discuss* **2016**, 1–51 (2016).
72. Bougiatioti, A. *et al.* Biomass-burning impact on CCN number, hygroscopicity and cloud formation during summertime in the eastern Mediterranean. *Atmos. Chem. Phys.* **16**, 7389–7409 (2016).
73. Holmgren, H. *et al.* Hygroscopic properties and mixing state of aerosol measured at the high-altitude site Puy de Dôme (1465 m a.s.l.), France. *Atmos. Chem. Phys.* **14**, 9537–9554 (2014).
74. Andreae, M. O. & Rosenfeld, D. Aerosol-cloud-precipitation interactions. Part 1. The nature and sources of cloud-active aerosols. *Earth-Science Reviews* **89**, 13–41 (2008).
75. Zhang, F. *et al.* Aerosol hygroscopicity and cloud condensation nuclei activity during the AC3Exp campaign: implications for cloud condensation nuclei parameterization. *Atmos. Chem. Phys.* **14**, 13423–13437 (2014).
76. Latham, T. L. *et al.* Analysis of CCN activity of Arctic aerosol and Canadian biomass burning during summer 2008. *Atmos. Chem. Phys.* **13**, 2735–2756 (2013).
77. Gunthe, S. S. *et al.* Cloud condensation nuclei (CCN) from fresh and aged air pollution in the megacity region of Beijing. *Atmos. Chem. Phys.* **11**, 11023–11039 (2011).
78. Rosenfeld, D. *et al.* Satellite retrieval of cloud condensation nuclei concentrations by using clouds as CCN chambers. *Proceedings of the National Academy of Sciences* **113**, 5828–5834 (2016).
79. Hoyle, C. R. *et al.* Chemical and physical influences on aerosol activation in liquid clouds: a study based on observations from the Jungfraujoch, Switzerland. *Atmos. Chem. Phys.* **16**, 4043–4061 (2016).
80. Sullivan, S. C., Lee, D., Oreopoulos, L. & Nenes, A. Role of updraft velocity in temporal variability of global cloud hydrometeor number. *Proceedings of the National Academy of Sciences* **113**, 5791–5796 (2016).
81. Mann, G. W. *et al.* Intercomparison and evaluation of global aerosol microphysical properties among AeroCom models of a range of complexity. *Atmos. Chem. Phys.* **14**, 4679–4713 (2014).
82. Crippa, M. *et al.* Organic aerosol components derived from 25 AMS data sets across Europe using a consistent ME-2 based source apportionment approach. *Atmos. Chem. Phys.* **14**, 6159–6176 (2014).

83. Bergström, R., Denier van der Gon, H. A. C., Prévôt, A. S. H., Yttri, K. E. & Simpson, D. Modelling of organic aerosols over Europe (2002–2007) using a volatility basis set (VBS) framework: application of different assumptions regarding the formation of secondary organic aerosol. *Atmos. Chem. Phys.* **12**, 8499–8527 (2012).
84. Fountoukis, C. *et al.* Simulating the formation of carbonaceous aerosol in a European Megacity (Paris) during the MEGAPOLI summer and winter campaigns. *Atmos. Chem. Phys.* **16**, 3727–3741 (2016).
85. Ciarelli, G. *et al.* Evaluation of European air quality modelled by CAMx including the volatility basis set scheme. *Atmos. Chem. Phys.* **16**, 10313–10332 (2016).
86. Bessagnet, B. *et al.* Presentation of the EURODELTA III intercomparison exercise – evaluation of the chemistry transport models' performance on criteria pollutants and joint analysis with meteorology. *Atmos. Chem. Phys.* **16**, 12667–12701 (2016).
87. Jurányi, Z. *et al.* Measured and modelled cloud condensation nuclei number concentration at the high alpine site Jungfraujoch. *Atmos. Chem. Phys.* **10**, 7891–7906 (2010).
88. Kulmala, M. *et al.* Measurement of the nucleation of atmospheric aerosol particles. *Nat. Protocols* **7**, 1651–1667 (2012).
89. Kristensson, A. *et al.* Characterization of new particle formation events at a background site in Southern Sweden: relation to air mass history. *Tellus B* **60**, 330–344 (2008).

Data Citation

1. Schmale, J. *et al.* Figshare <http://dx.doi.org/10.6084/m9.figshare.c.3471585> (2017).

Acknowledgements

The authors acknowledge funding from the European FP7 project BACCHUS (grant agreement No. 49 603445) and the Horizon 2020 research and innovation programme ACTRIS-2 Integrating Activities (grant agreement No. 654109). Long-term measurements at Jungfraujoch are supported by the International Foundation High Altitude Research Stations Jungfraujoch and Gornergrat and MeteoSwiss in the framework of the Global Atmosphere Watch (GAW) program. AN acknowledges support from a Georgia Power Faculty Scholar and a Cullen-Peck Faculty Fellow funds. JO thanks the HEA-PRTL14 Environment and Climate: Impact and Responses programme and EPA-Ireland. The research at Cabauw has received funding from the European Union Seventh Framework Programme (FP7, grant agreement no. 262254). The research at Noto was supported by JSPS Grant-in-Aid for Young Scientists (A, grant number JP26701001). The research in Seoul was supported by Grant KMIPA 2015–2061.

Author Contributions

J.S. collected the data from the originators, harmonized and quality checked the data, contributed to conceiving the study and wrote the manuscript. S.H., J.S.H. and M.G. contributed data, supported the data quality assessment and were involved in writing the Methods and Technical Validation sections. H.K., K.S., J.O., A.B., N.K., I.S. A.J., J.A.O., M.P., W.B., P.S., Y.I., A.W., A.K. contributed data and to the data quality assessment. C.R., K.P. prepared the data files in NetCDF format. A.M.F., M.F. and C.M. introduced the data files in the EBAS database. A.J., W.B., J.A.O. collected data at Barrow. J.S.B., P.S., G. K., A.K.S., A.F., R.P. collected data at Cabauw. A.B., N.K., I.S., M.K., A.N., N.M. collected data at Finokalia. N.B., R.F., E.H., E.H.A., G.M., M.G. collected data on Jungfraujoch. S.H., L.P., A.W., F.S., A.S. collected data at Melpitz. J.O., J.B. and C.O. collected data at Mace Head. Y.I., M.F., H.H., K.K., H.T., A. M. collected data on Noto Peninsula. K.S. and D.P. collected data at Puy de Dôme. M.P., S.S.Y. collected data in Seoul. H.K., P.A., M.Ä., L.H., M.K., M.P., T.P. collected data in Hyytiälä. A.K., G.F., E.S., B.S., C. W. collected data in Vavihill. AP made chemical composition measurements possible within ACTRIS and JSI wrote the code to easily provide the data. A.W., M.K., N.M., A.N., C.O., A.P., U.B., E.S., J.O., A.M., S. Y., C.M., K.C., F.S., J.S. and M.G. conceived the study and gave scientific advice.

Additional Information

Supplementary Information accompanies this paper at <http://www.nature.com/sdata>

Competing financial interests: The authors declare no competing financial interests.

How to cite this article: Schmale, J. *et al.* Collocated observations of cloud condensation nuclei, particle size distributions, and chemical composition. *Sci. Data* **4**:170003 doi: 10.1038/sdata.2017.3 (2017).

Publisher's note: Springer Nature remains neutral with regard to jurisdictional claims in published maps and institutional affiliations.



This work is licensed under a Creative Commons Attribution 4.0 International License. The images or other third party material in this article are included in the article's Creative Commons license, unless indicated otherwise in the credit line; if the material is not included under the Creative Commons license, users will need to obtain permission from the license holder to reproduce the material. To view a copy of this license, visit <http://creativecommons.org/licenses/by/4.0>

Metadata associated with this Data Descriptor is available at <http://www.nature.com/sdata/> and is released under the CC0 waiver to maximize reuse.

© The Author(s) 2017

SCIENTIFIC DATA

OPEN

Corrigendum: Collocated observations of cloud condensation nuclei, particle size distributions, and chemical composition

Julia Schmale, Silvia Henning, Bas Henzing, Helmi Keskinen, Karine Sellegri, Jurgita Ovadnevaite, Aikaterini Bougiatioti, Nikos Kalivitis, Iasonas Stavroulas, Anne Jefferson, Minsu Park, Patrick Schlag, Adam Kristensson, Yoko Iwamoto, Kirsty Pringle, Carly Reddington, Pasi Aalto, Mikko Äijälä, Urs Baltensperger, Jakub Bialek, Wolfram Birmili, Nicolas Bukowiecki, Mikael Ehn, Ann Mari Fjæraa, Markus Fiebig, Göran Frank, Roman Fröhlich, Arnoud Frumau, Masaki Furuya, Emanuel Hammer, Liine Heikkinen, Erik Herrmann, Rupert Holzinger, Hiroyuki Hyono, Maria Kanakidou, Astrid Kiendler-Scharr, Kento Kinouchi, Gerard Kos, Markku Kulmala, Nikolaos Mihalopoulos, Ghislain Motos, Athanasios Nenes, Colin O'Dowd, Mikhail Paramonov, Tuukka Petäjä, David Picard, Laurent Poulain, André Stephan Henry Prévôt, Jay Slowik, Andre Sonntag, Erik Swietlicki, Birgitta Svenningsson, Hiroshi Tsurumaru, Alfred Wiedensohler, Cerina Wittbom, John A. Ogren, Atsushi Matsuki, Seong Soo Yum, Cathrine Lund Myhre, Ken Carslaw, Frank Stratmann & Martin Gysel

Scientific Data 4:170003 doi:10.1038/sdata.2017.3 (2018); Published 14 March 2017; Updated 8 May 2018

The affiliation of Cathrine Lund Myhre was incorrectly stated in the original publication. It is: 19 NILU -Norwegian Institute for Air Research, Instituttveien 18, Kjeller 2007, Norway.



Open Access This article is licensed under a Creative Commons Attribution 4.0 International License, which permits use, sharing, adaptation, distribution and reproduction in any medium or format, as long as you give appropriate credit to the original author(s) and the source, provide a link to the Creative Commons license, and indicate if changes were made. The images or other third party material in this article are included in the article's Creative Commons license, unless indicated otherwise in a credit line to the material. If material is not included in the article's Creative Commons license and your intended use is not permitted by statutory regulation or exceeds the permitted use, you will need to obtain permission directly from the copyright holder. To view a copy of this license, visit <http://creativecommons.org/licenses/by/4.0/>

© The Author(s) 2018