



CISBAT 2017 International Conference – Future Buildings & Districts – Energy Efficiency from Nano to Urban Scale, CISBAT 2017 6-8 September 2017, Lausanne, Switzerland

## The energy hub concept applied to a case study of mixed residential and administrative buildings in Switzerland

A.T.D. Perera <sup>a\*</sup>, Dasaraden Mauree <sup>a</sup>, Jean-Louis Scartezzini<sup>a</sup>

<sup>a</sup> Solar Energy and Building Physics Laboratory (LESO-PB), Ecole Polytechnique Fédérale de Lausanne (EPFL), CH-1015 Lausanne, Switzerland.

---

### Abstract

The concept of Energy Hub (EH) is getting popular as a method to integrate non-dispatchable energy sources at building and neighbourhood scale with the support of energy storage and grid. It is interesting to study the effectiveness of EH concept to integrate solar energy and wind energy at both building and neighbourhood scale considering the real-time price and curtailments in the grid. This paper presents a case study conducted to evaluate the effectiveness of EH in integrating solar energy in the SwissTech Convention Centre (STCC) and Quartier Nord on the EPFL campus in Lausanne considering both building and neighbourhood scale. The results depict that EH is more effective when both compared to standalone operation and grid integrated mode (considering grid curtailments and RTP) in the process of integration of renewable energy sources. Interacting with the grid seems to be more economical when compared to storage. Grid curtailments cause the storage to operate more frequently in both charging and discharging cycles.

© 2017 The Authors. Published by Elsevier Ltd.

Peer-review under responsibility of the scientific committee of the CISBAT 2017 International Conference – Future Buildings & Districts – Energy Efficiency from Nano to Urban Scale

*Keywords:* Building energy system; Distributed energy systems; Energy Hubs; Renewable Energy Intergration

---

\* Corresponding author. Tel.: +41 21 693 55 56  
E-mail address: [dasun.perera@epfl.ch](mailto:dasun.perera@epfl.ch)

## 1. Introduction

Energy requirements in urban areas are rising very fast and this trend is expected to continue with the increase in the urban population (70% by 2050). New buildings are built according to more and more stringent norms which can make them either net-zero or energy positive buildings. Decentralized urban energy systems are hence drawing a lot of attention from the research and industrial community as a possibility towards more sustainable urban areas responding to stringent limitations for fossil fuel based power generation and global concern on greenhouse gases (GHG) emissions.

The stochastic nature of both demand and solar photovoltaics (SPV) energy potential makes SPV integration into buildings more challenging. The concept of Energy Hub (EH) [1]–[5] is getting popular as a method to integrate non-dispatchable energy sources at building and neighbourhood scale with the support of energy storage and grid. In a previous study, a district on the EPFL campus, Switzerland [6], [7] was analysed to implement renewable energy. However, the analysis did not account for the various energy vectors that could be considered and integrated in order to increase the autonomy of the energy system. There have been no studies on the effectiveness of energy hub (EH) to integrate solar energy and wind energy at both building and neighbourhood scale considering real-time price (RTP) and curtailments in the grid. This study presents a case study conducted to evaluate the effectiveness of EH in integrating solar energy in the SwissTech Convention Centre (STCC) and Quartier Nord on the EPFL campus in Lausanne considering both building and neighbourhood scale.

In the next section we describe the models used in the current study. We then show the results obtained and discuss them. In the final section we conclude on the most important findings in this study and give a few perspectives to further develop the concept of implementation of decentralized energy systems.

### Nomenclature

EH	Energy hub
EPFL	Ecole Polytechnique Fédérale de Lausanne
GHG	Greenhouse gases
ICG	internal combustion generator
RTP	Real time price
SPV	Solar photovoltaics
STCC	SwisstTech Convention Centre
ToU	Time of Use

## 2. Methodology

### 2.1. Brief description of the CitySim software

CitySim [8] is a large-scale dynamic building energy simulation tool developed at the EPFL. The tool includes an important aspect in the field of simulating multiple buildings: the building interactions (shadowing, light inter-reflections and infrared exchanges). Furthermore, CitySim is based on simplified modelling assumptions to establish a trade-off between input data needs, output precision requirements and computing time. It also takes into account the occupancy profile and thermal comfort of the occupants throughout the year.

### 2.2. Overview of the energy system

The EH consisting of wind turbines, SPV panels, battery bank, internal combustion generator (ICG) operating connected to the main grid is considered in this study (see Fig. 1). Global solar irradiation on horizontal surfaces and wind speed are taken into account on an hourly time scale. The computational model is described in Ref. [9]–[12]. Energy demand for multiple energy services (heating and electricity) is taken from Citysim, and standard occupancy profiles are used. The electricity price in the grid is taken based on the Time of Use (ToU) scheme. Grid

curtailments were introduced when selling and purchasing electricity from the grid. The interactions with the grid, energy storage and ICG are determined using a bi-level dispatch strategy [4]. At the primary level the Fuzzy Takagi-Sugeno method is used to derive the operating load factor of the ICG. State of charge of the battery bank, mismatch in demand and generation as well as price of grid electricity are considered when deriving the load factor of the ICG. Subsequently, interactions with the grid and battery bank are determined based on the energy management system using finite automata theory. The operating state of the system is determined based on the all the aforementioned factors and the grid curtailments for selling and purchasing electricity to and from the grid.

Thereafter, the energy system is optimized considering grid integration level and leveled energy cost as objective functions. An evolutionary algorithm is used to obtain the optimum set of solutions. Decision variables related to both system design and operation strategy are considered in the optimization. Loss of load probability is considered as a constraint in the optimization.

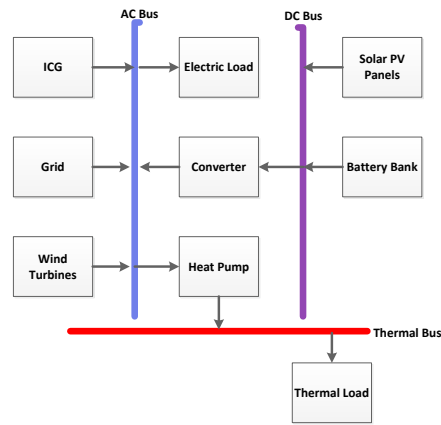


Fig. 1. Overview of the Energy Hub

### 3. Experiments

CitySim was run over one typical year using data from Meteonorm software [13]. The study case is located in Ecublens, VD/Switzerland. The district is composed of the STCC and student housing on the EPFL campus (see Fig. 2). The complex was built in 2013 and the HVAC system installed is mainly composed of a heat exchanger using waste water from the EPFL campus to meet the heating and cooling demand. For the simulation, the temperature set point for both buildings are set to  $T_{min} = 20^{\circ}\text{C}$  and  $T_{max} = 22^{\circ}\text{C}$ .



Fig. 2. Representation of the Quartier Nord (EPFL campus, Switzerland)

The results (heating and cooling demand), along with techno-economic data for system components, meteorological data of the location are used as the input data. An Enumerative method is used in the optimization process where the system configuration is optimized considering cash flows throughout the life cycle. Three configurations are selected to access the scenario i.e. stand-alone operation mode, grid-integrated operation mode and EH configuration to optimize the system. Sensitivity of ToU and RTP scheme on optimized results are subsequently analysed.

**4. Results and discussion**

Fig. 3 shows the annual short wave irradiation received on each surface of the district. The solar irradiation received is used in the calculation of the energy balance of the different buildings.

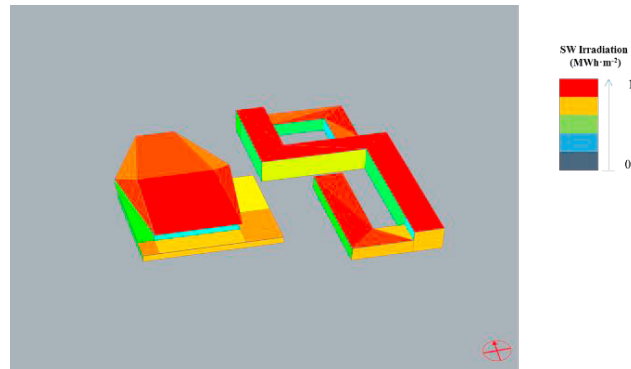


Fig. 3. Short wave irradiation

Fig. 4 shows the heating and cooling demand simulated with CitySim for a typical year. It can be seen that one of the housing buildings has a higher energy consumption as compared to the other ones while the STCC has a quite low demand. One of the reason for this is the high glazing ratio that optimizes the solar gain in the building.

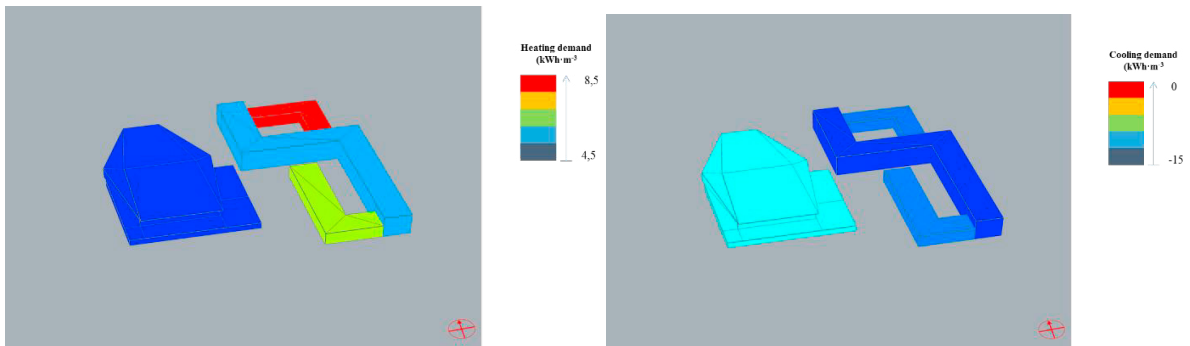


Fig. 4. Yearly heating demand (left) and cooling demand (right)

However, the cooling demand of the district is quite high and this is also very likely to be due to the high glazing ratio in the different buildings. Besides, the temperature set point that has been used is quite low for the housing and could be a reason for such a high cooling demand, but this corresponds to the temperature usually prescribed for the STCC as obtained from real data.

The Pareto front obtained considering grid integration level and net present value is presented in Fig. 5. A notable reduction in LEC is observed when integrating the grid interactions. When analyzing the results, it is prudent to say that an energy autonomy of 55% for the system can be reached when considering the purchasing of electricity from the grid, which tends to be a notable improvement when considering the present context. However, lifecycle cost notably increases when reaching the stand-alone state. When analyzing the renewable energy integration process, it can be noted that power generation using renewable energy technologies can reach up to 45% of the total demand, which is quite significant. However, when considering the lowest cost option, the level of renewable energy integration is less than 10%.

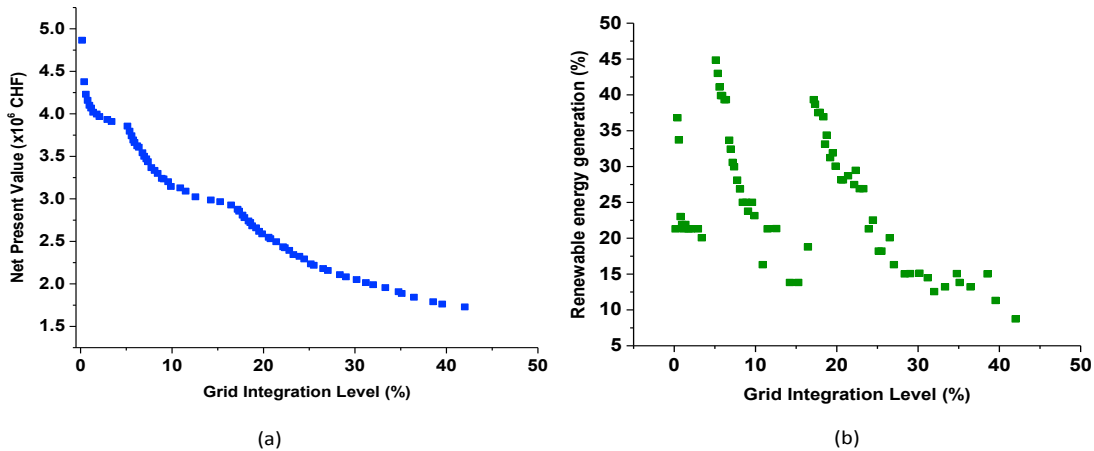


Fig. 5. Pareto front considering the grid integration level (a) net present value and (b) renewable energy integration level.

## 5. Conclusions

This study focuses on the potential of the energy hub concept to integrate renewable energy technologies at neighborhood scale. An energy hub consisting of renewable energy components, energy storage and a dispatchable energy source operating connected to the grid is considered. Obtained results show that an autonomy level of up to 55% can be reached for the energy system using the energy hub while the contribution of the renewable energy sources can reach up to 45%. However, the minimum cost scenario does not correspond to the maximum renewable energy integration scenario.

## Acknowledgements

The authors wish to thank The Commission for Technology and Innovation of the Swiss Confederation for the funding of the Swiss Competence Center for Energy Research, Future Energy Efficiency Buildings and Districts, FEED&D, (CTI.2014.0119).

## References

- [1] A. T. D. Perera, D. Mauree, J.-L. Scartezzini, and M. N. Vahid, 'Sensitivity of the dispatch strategy in designing grid integrated hybrid energy systems', presented at the IEEE International Energy Conference ENERGYCON 2016, Leuven, Belgium, 2016, vol. International Energy Conference ENERGYCON 2016.
- [2] A. T. D. Perera, D. Mauree, J.-L. Scartezzini, and M. N. Vahid, 'Optimum design and control of grid integrated electrical hubs considering lifecycle cost and emission', presented at the IEEE International Energy Conference ENERGYCON 2016, Leuven, Belgium, 2016.
- [3] A. T. D. Perera, V. M. Nik, D. Mauree, and J.-L. Scartezzini, 'Design Optimization of Electrical Hubs Using Hybrid Evolutionary Algorithm', p. V001T03A007, juin 2016.

- [4] A. T. D. Perera, V. M. Nik, D. Mauree, and J.-L. Scartezzini, 'Electrical hubs: An effective way to integrate non-dispatchable renewable energy sources with minimum impact to the grid', *Applied Energy*, vol. 190, pp. 232–248, Mar. 2017.
- [5] R. Evins, K. Orehoung, V. Dorer, and J. Carmeliet, 'New formulations of the "energy hub" model to address operational constraints', *Energy*, vol. 73, pp. 387–398, Aug. 2014.
- [6] D. Mauree, B. Nadège, A. Clappier, J. H. Kämpf, and J.-L. Scartezzini, 'Evaluation of building energy use: from the urban to the building scale', in *Proceedings of the 9th International Conference on Urban Climate*, Toulouse, 2015.
- [7] D. Mauree, S. Coccolo, J. Kaempf, and J.-L. Scartezzini, 'Multi-scale modelling to evaluate building energy consumption at the neighbourhood scale', *PLOS ONE*, 2017.
- [8] J. H. Kämpf and D. Robinson, 'A simplified thermal model to support analysis of urban resource flows', *Energy and Buildings*, vol. 39, no. 4, pp. 445–453, 2007.
- [9] A. T. D. Perera, D. M. I. J. Wickremasinghe, D. V. S. Mahindaratna, R. A. Attalage, K. K. C. K. Perera, and E. M. Bartholameuz, 'Sensitivity of internal combustion generator capacity in standalone hybrid energy systems', *Energy*, vol. 39, no. 1, pp. 403–411, Mar. 2012.
- [10] A. T. D. Perera, R. A. Attalage, K. K. C. K. Perera, and V. P. C. Dassanayake, 'Converting existing Internal Combustion Generator (ICG) systems into HESs in standalone applications', *Energy Conversion and Management*, vol. 74, pp. 237–248, Oct. 2013.
- [11] A. T. D. Perera, R. A. Attalage, K. K. C. K. Perera, and V. P. C. Dassanayake, 'A hybrid tool to combine multi-objective optimization and multi-criterion decision making in designing standalone hybrid energy systems', *Applied Energy*, vol. 107, pp. 412–425, Jul. 2013.
- [12] A. T. D. Perera, R. A. Attalage, K. K. C. K. Perera, and V. P. C. Dassanayake, 'Designing standalone hybrid energy systems minimizing initial investment, life cycle cost and pollutant emission', *Energy*, vol. 54, pp. 220–230, Jun. 2013.
- [13] J. Remund, 'Quality of Meteorom Version 6.0', *Europe*, vol. 6, no. 1.1, p. 389, 2008.