

# Notch in T-ALL: new players in a complex disease

Ute Koch and Freddy Radtke

Ecole Polytechnique Fédérale de Lausanne (EPFL), Swiss Institute for Experimental Cancer Research (ISREC), Station 19, 1015 Lausanne, Switzerland

**T cell acute lymphoblastic leukemia (T-ALL) is an aggressive hematopoietic malignancy of thymocytes affecting preferentially children and adolescents. The disease is heterogeneous and characterized by a large set of chromosomal and genetic alterations that deregulate the growth of maturing thymocytes. The identification of activating point mutations in *NOTCH1* in more than 50% of all T-ALL cases highlights the *NOTCH1* cascade as a central player of T-ALL pathogenesis. In this review, we summarize and update more recent findings on the molecular mechanisms of T-ALL with a particular emphasis on the oncogenic properties of aberrant *NOTCH1* signaling.**

## Notch signaling finds its place in T-ALL

T cell acute lymphoblastic leukemia (T-ALL) is an aggressive malignancy of developing thymocytes. The disease represents 15% of pediatric and 25% of adult acute lymphoblastic leukemia (ALL) cases. It is characterized clinically by high white blood cell counts, increased numbers of blast cells and enlarged mediastinal lymph nodes. Although the disease develops mostly in the thymus, it tends to spread throughout the body, including the central nervous system, complicating the therapeutic treatment of the disease. Historically, T-ALL was associated with a poor outcome; however, today's more aggressive multi-agent chemotherapy results in an overall survival rate of 70% for children and 30–40% for adults below 60 years of age, and 10% above this age [1]. Relapse patients often develop resistance to chemotherapy, and are associated with very poor prognosis. It is therefore important to understand the molecular mechanisms that cause and drive T-ALL to identify novel molecular targets and design more specific therapies.

Over the last two decades, cytogenetic analysis, combined with cloning and sequencing of chromosomal translocation break points, revealed that aberrant expression of numerous transcriptional regulators in T-ALL often involves incorrect rearrangement processes of the T cell receptor (TCR) genes. This results in the juxtaposition of genes coding for transcriptional regulators close to strong TCR gene enhancers and promoters that drive their expression [2]. Examples include a number of basic helix-loop-helix (bHLH) transcription factors such as *TAL1*, *TAL2*, *LYL1*, *bHLHB1* and *MYC*, or homeobox transcription factors (Table 1). Although some of the transcriptional

regulators (e.g. *MYC*) are expressed in normal thymocytes where they govern T cell differentiation and development, others are not of lymphoid origin (e.g. *TAL1* or *TAL2*).

Additional chromosomal translocations, which do not implicate the TCR rearrangement machinery with their strong promoters and enhancers, have also been identified in T-ALL patients. These non-TCR associated translocations lead to the generation of fusion genes and chimeric proteins with novel functions, gene deletions, or gene inactivation as a consequence of promoter hypermethylation, as well as gene duplications (Table 2).

Although it is in many instances unclear how all of these different genetic defects mechanistically transform thymocytes, this incomplete list shows the large variety of genetic aberrations that contribute to the transformation of T cells. T-ALL does not represent a single disease entity. Gene expression profiling, as well as microarray based competitive genomic hybridization (array-CGH), which detects genomic copy number variations such as deletions and/or duplications, helped to classify T-ALL patients into multiple subgroups. Some of these subgroups exhibit unique aberrations, whereas others are shared by multiple patient subgroups [3,4]. More than 50% of T-ALL patients have mutations leading to the hyperactivation of the Notch1 pathway, suggesting that this signaling cascade plays an important role in T-ALL pathogenesis. Box 1

Notch1 is one of four single transmembrane bound Notch receptors, which are composed of an extracellular and an intracellular subunit that are non-covalently linked through the heterodimerization domain (HD) (Figure 1). Notch signaling is initiated by receptor-ligand interaction between two neighboring cells, leading to successive proteolytic cleavages, which result in the liberation of the intracellular domain of the receptors (NICD). NICD then translocate to the nucleus and heterodimerizes with the transcription factor CSL/RBPJ $\kappa$  to regulate gene expression [5]. This signaling cascade is evolutionarily conserved and regulates many cellular processes, including proliferation, differentiation and survival. Here we summarize recent findings on the differences between human and murine oncogenic Notch1 mutations in T-ALL, and discuss Notch targets and downstream signaling pathways.

## Notch1 – key player in T-ALL

Notch signaling through the Notch1 receptor has long been shown to be essential for T cell lineage development, thymocyte survival, as well as the proliferation of committed T cell progenitors. Historically, the first evidence of

Corresponding author: Radtke, F. (Freddy.Radtke@epfl.ch)

**Table 1. TCR-mediated translocations in T-ALL.**

Genes	Function	Rearrangements	Frequency	Outcome	References
TAL1	bHLH transcription factor HSC survival Megakaryocyte/erythrocyte differentiation	TCR $\alpha/\delta$ t(1;14)(p32;q11)	15–20%	Good	[49,50]
TAL2	bHLH transcription factor Neural development	TCR $\beta$ t(7;9)(q35;q34)	< 2%	Unknown	[50,51]
LYL1	bHLH transcription factor HSCs, B cell development, vasculogenesis	TCR $\beta$ t(7;19)(q35;p13)	< 2%	Unknown	[51]
HBHL1/OLIG2	bHLH transcription factor Neural development Oligodendrocyte differentiation	TCR $\alpha$ t(14;21)(q11;q22)	Rare	Unknown	[52]
C-MYC	bHLH/ZIP transcription factor, cell growth, apoptosis, stem cell self-renewal and differentiation	TCR $\alpha$ t(8;14)(q24;q11)	2%	Poor	[53–55]
LMO1	LIM-domain containing transcriptional regulators Megakaryocyte/Erythrocyte differentiation	TCR $\alpha/\delta$ t(11;14)(p15;q11)	<1%	Unknown	[56,57]
LMO2	LIM-domain containing transcriptional regulators Megakaryocyte/Erythrocyte differentiation	TCR $\alpha/\delta$ t(11;14)(p13;q11) TCR $\beta$ t(7;11)(q35;p13)	7% 3%	Unknown Unknown	[58,59]
Hox11/TLX1	Homeodomain transcription factor Spleen development	TCR $\alpha/\delta$ t(10;14)(q24;q11) TCR $\beta$ t(7;10)(q34;q24)	5–10%	Good	[60–62]
Hox11L2/TLX3	Homeodomain transcription factor Neural development	TCR $\alpha/\delta$ t(5;7)(q35;q21)	24%	Poor No impact	[60,63]
C-MYB	Transcription factor, hematopoiesis	TCR $\beta$ t(6;7)(q23;q34)	3%	Unknown	[64]
NOTCH1	Type I receptor, T cell commitment and thymocyte maturation	TCR $\beta$ t(7;9)(q34;q34.3)	< 1%	Good	[6]

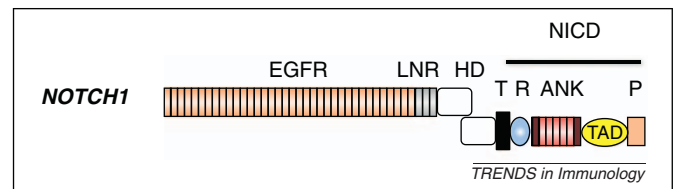
**Table 2. Non-TCR-mediated translocations and mutations in T-ALL.**

Genes	Function	Rearrangements	Frequency	Outcome	References
STIL/TAL1	bHLH transcription factor HSC survival, Megakaryocyte/Erythrocyte differentiation	1p32 deletion	4%	Good	[50]
CDKN2A/2B	Cell cycle regulator	9p21 deletions or hypermethylation	70%	Poor	[65,66]
Hox A cluster	Regulation of axial patterning during development	inv(7)(p15q34)	3%	Unknown	[67,3]
Hox11L2	Homeodomain transcription factor Neural development	BCL11B t(5;14)(q35;q32) CDK6 t(5;7)(q35;q21)	24%	No impact	[60,63]
C-MYB	Transcription factor, hematopoiesis	Gene duplication	8-15%	Unknown	[64,68]
EML1-ABL1	EML1-Cytoskeleton ABL-Nuclear tyrosine kinase, regulating cell differentiation and division	Gene fusion	<1%	Unknown	[69]
ETV6-ABL1	ETV6-Ets-family transcription factor, hematopoiesis ABL-Nuclear tyrosine kinase, regulating cell differentiation and division	Gene fusion	<1%	Unknown	[70]
NUP214-ABL1	NUP214- part of the nuclear pore complex, transport ABL-Nuclear tyrosine kinase, regulating cell differentiation and division	Gene fusion	6%	Poor No impact	[71,72]
MLL-ENL	MLL-homologue of Drosophila Trithorax involved in homeotic gene regulation, histone methyl transferase; ENL-transcription factor	Gene fusion	<1%	Unknown	[73]
NOTCH1	Type I receptor, T cell commitment and thymocyte maturation	Mutations	>50%	Good	[11]
FBXW7	Ubiquitin ligase, regulating protein degradation	Mutations or deletions	8-15%	Poor	[74,75]
PTEN	Phosphatase, negative regulator of PI3K-Akt signaling	Mutations Deletions	27% 9%	Poor or no impact	[76,77,22]

### Box 1. Therapeutic targeting of the Notch pathway

The best-documented causative role of activated Notch signaling in human carcinogenesis is certainly T cell acute lymphoblastic leukemia (T-ALL). In recent years aberrant Notch signaling has also been linked to various forms of solid human tumors, and thus, has gained increasing attention as a potential therapeutic target. Initial strategies to block Notch signaling that were also explored in clinical trials, were to use small molecule inhibitors of the  $\gamma$ -secretase complex [78]. These chemical compounds block the proteolytic cleavage that liberates the intracellular Notch domain (NICD). However,  $\gamma$ -secretase inhibitors are not selective for individual Notch receptors, but they block signaling of all receptors. The most frequently observed side-effect of these compounds is that they cause a dose dependent goblet cell metaplasia in the intestine [79], since inhibition of Notch1 and Notch2 in intestinal crypt progenitors and/or stem cells induces premature differentiation into goblet cells [80]. However, the gut toxicity can be circumvented when these  $\gamma$ -secretase inhibitors are used in combinatorial therapy with glucocorticoids such as dexamethasone [81]. Alternative strategies employing blocking antibodies for specific Notch receptors and/or ligands are being developed currently [81–85]. The advantage of inhibiting selectively individual Notch receptors or ligands is the minimization of potential side effects. Preclinical cell culture and xeno-transplantation studies indeed indicate that antibody-mediated inhibition of Notch signaling is a promising avenue [83]. Nevertheless, this approach has its limitations. The activity of certain antibodies to block the growth of human T-ALL cell lines bearing Notch1 mutations appears to be less efficient compared to  $\gamma$ -secretase inhibitors [86], possibly owing to lower binding affinity to the mutated receptor. Moreover, tumor cells harboring chromosomal translocations or genetic aberrations, which lead to the expression of Notch receptors lacking their extracellular domain, are not treatable with an antibody-mediated approach. Therefore, alternative approaches must be considered, and were recently pioneered successfully. Stabilized small  $\alpha$ -helical peptides derived from the mastermind-like protein were employed to inhibit the Notch transcriptional complex. These peptides bind to the groove formed by the CSL-NICD complex, and thereby prevent the recruitment of necessary transcriptional co-activators [87]. Treatment of leukemic cells with such peptides inhibited the proliferation of leukemic cells *in vitro* as well as in a Notch1-driven T-ALL mouse model without causing gut toxicity. Whether any of these or other strategies will be developed successfully into a clinical drug, or will be used in combined drug therapies, remains to be assessed in the future.

Notch1 being involved in T-ALL was provided when *NOTCH1* was identified through the analysis of a chromosomal translocation [t(7;9)(q34;q34.3)] detected in a small number of T-ALL patients. This revealed that a portion of the human *NOTCH1* gene had translocated into the *TCRB* locus [6,7]. The oncogenic potential of *NOTCH1* was demonstrated in murine bone marrow (BM) reconstitution experiments. Mice reconstituted with BM cells expressing a truncated human form of *NOTCH1* developed hematological malignancies characterized as T-ALL [8,9]. However, the role of *NOTCH1* in human T-ALL seemed to be limited because of the rare number of patient cases identified with the t(7;9) translocation (less than 1%; [10]). A landmark study published in 2004 changed the situation dramatically by showing that more than 50% of T-ALL cases carry Notch1-activating mutations [11]. This finding implicated that Notch1 has a very prominent role in the pathogenesis of T-ALL. Sequence analysis of primary human T-ALL samples and human T-ALL cell lines revealed that the majority of these mutations cluster in 2 general regions either at the PEST or the HD domain of Notch1. The mutations clustering at the C-terminus of the Notch1

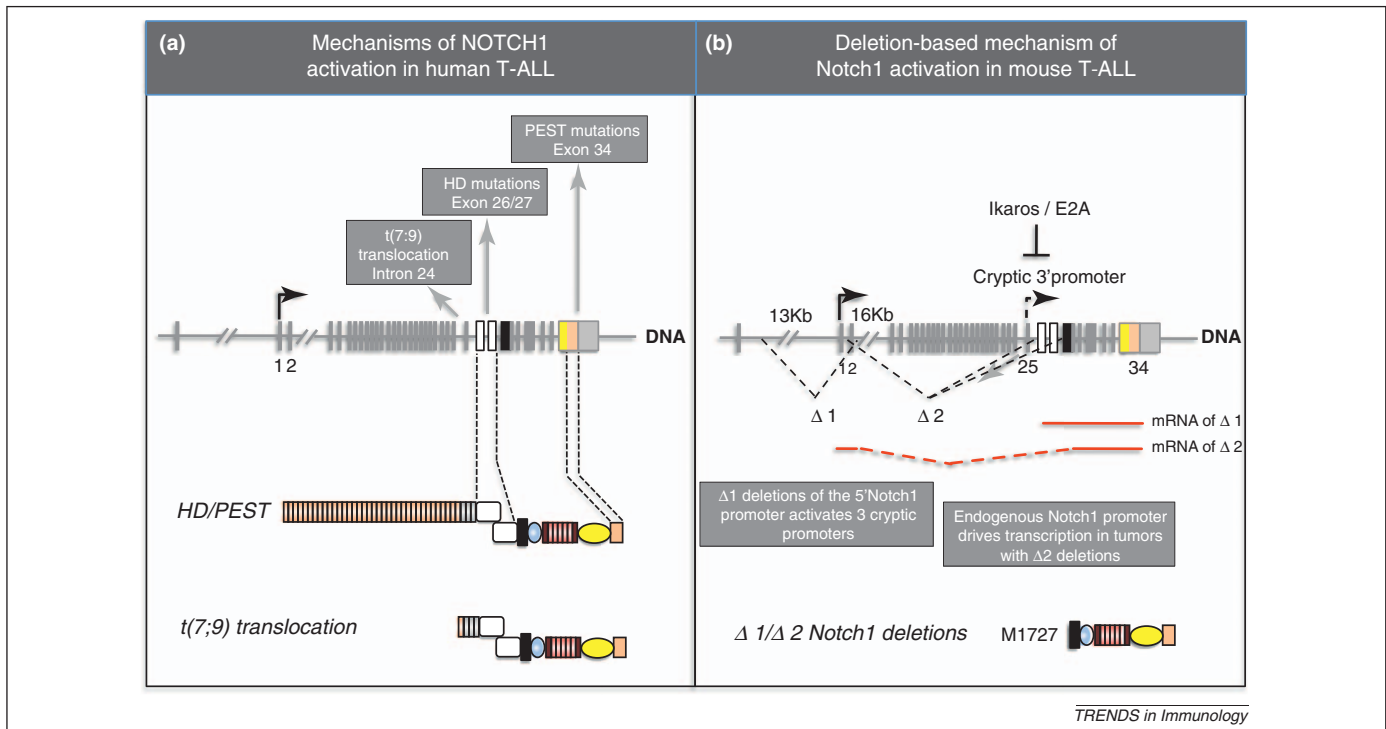


**Figure 1. Schematic representation of the human Notch1 receptor.** The extracellular domain of Notch1 consists of 36 epidermal growth factor (EGF)-like repeats (EGFR) followed by three cysteine-rich lin12/Notch repeats (LNR) and the heterodimerization domain (HD). Notch1 contains a single transmembrane domain (T) followed by a RBPJk-associated module (R) domain and 6 ankyrin repeats (ANK) flanked by two nuclear localization signals, a transactivating domain (TAD), and a PEST sequence (P) involved in regulating protein turnover.

receptor consist of nonsense or frameshift mutations resulting in the deletion of the PEST domain normally regulating NICD degradation [12]. These mutations increase Notch activity through the stabilization of NICD and are present in approximately 20-30% of tumors. The most common *NOTCH1* mutations (40-45% of T-ALL patients) fall into exon 26 or 27, which encode the N- and C-terminal HD subunits. Mutations within that region consist of single amino acid changes, short insertions or deletions that maintain the reading frame. These mutations destabilize the interaction between the two subunits, and induce or facilitate ligand-independent Notch1 signaling [13]. Most Notch-dependent human cell lines and approximately 10-20% of primary human T-ALL reveal mutations in both the HD and PEST domains (Figure 2a).

In retrospect it is not surprising that the frequently occurring mutations in the human *NOTCH1* receptor have been associated with human T-ALL given that Notch has been shown to be a potent oncogene in mouse models. Retroviral or transgenic overexpression of NICD in hematopoietic or T cell progenitors is widely used to induce T-ALL in mice [9,14,15]. However, sporadic mutations in murine and human T-ALL have only been found so far in Notch1 suggesting that Notch1, and not other Notch receptors, can be a major driver in human T-ALL. Although many T-ALL tumors harbor mutations within the *NOTCH1* gene, they contain in addition chromosomal translocations or rearrangements that activate oncogenes or create oncogenic fusion genes (see Tables 1 and 2). Thus, the question remained whether aberrant Notch signaling is the driver or only a cooperating passenger in human T-ALL.

Although NICD1 is a potent inducer of T-ALL in retroviral and transgenic mouse models, this form of Notch is rarely present in human T-ALL. In mouse models of T-ALL, such as *TAL1/SCL*, *OLIG2* and *LMO1/2* transgenic mice (see Table 1 and [16] for review), spontaneous activating Notch1 mutations occur at a high frequency. Therefore, the more commonly mutated Notch1 alleles in the retroviral mouse model have been analyzed. HD, PEST, and HD/PEST mutations more frequently found in human T-ALL samples were weak inducers of Notch activity *in vitro*, induced only ectopic T cell development, and failed to induce leukemia when tested in the retroviral mouse model [17]. Once these constructs were assayed in an oncogenic background that predisposes to T-ALL, using the *LSL-K-ras<sup>G12D</sup>* mouse strain, these weakly leukemogenic alleles shortened disease latency and gave rise to cell



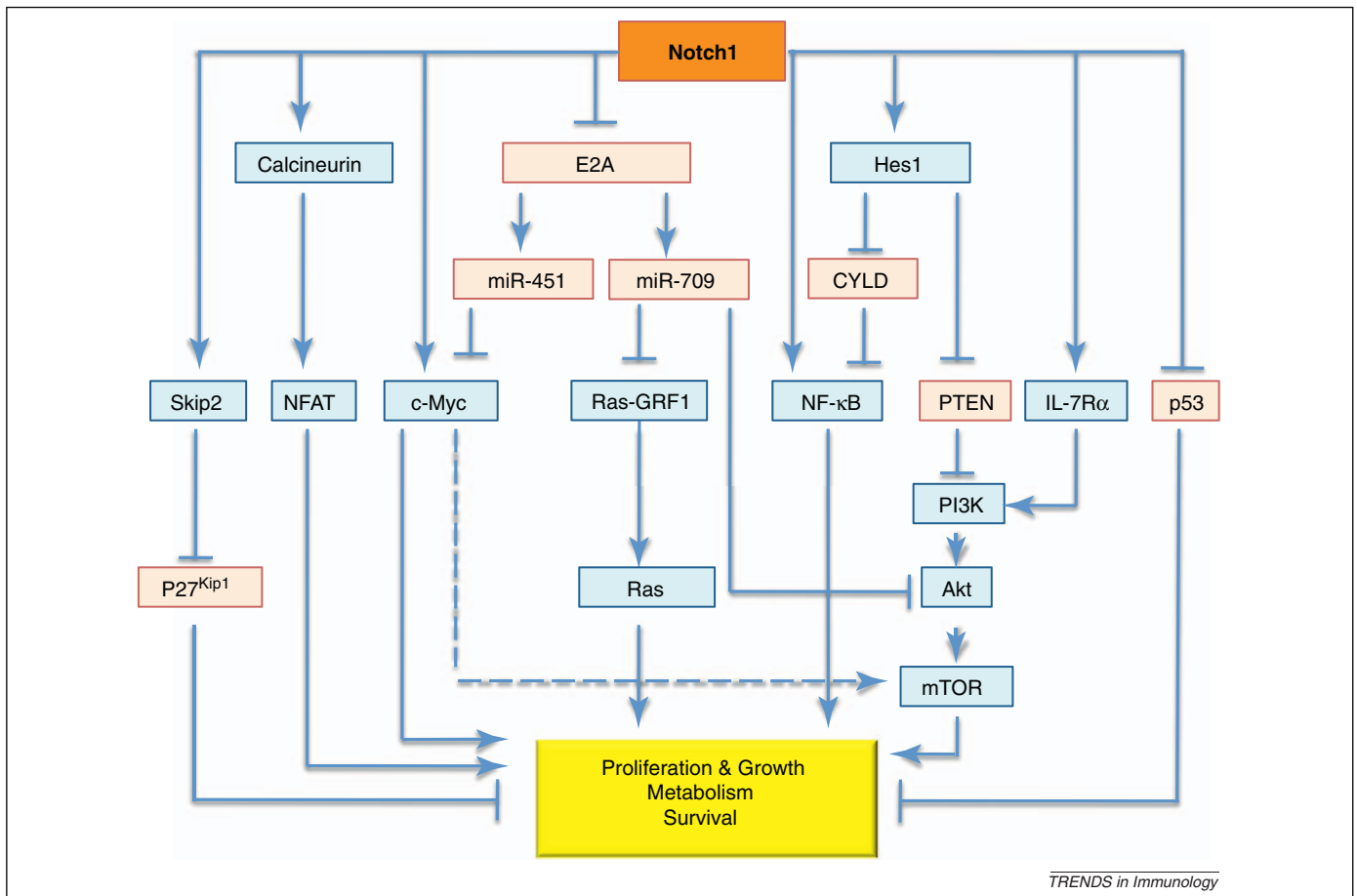
**Figure 2. Activating mutations and deletions leading to aberrant Notch1 signaling differ between human and mouse T-ALL** (a) A low number of human T-ALL patients carry a t(7;9) translocation, which was mapped to intron 24 and results in the generation of a truncated dominant active Notch1 receptor lacking most of its extracellular domain. Most of the *NOTCH1* mutations in humans localize either to the HD domain or to the PEST domain, whereas some T-ALL patients reveal mutations in both domains. In the schematic of *NOTCH1*, bars and numbers indicate exons and grey boxes indicate reported human mutations. (b) Murine T-ALLs harbor one of two classes of deletions within the 5' region of the *Notch1* gene: (1) Δ1 - deletion of the proximal promoter including the ATG containing exon 1 allows the transcription of truncated *Notch1* mRNAs driven by a cryptic 3' promoter located near exon 25. Normally, Ikaros and/or E2A repress the cryptic 3' promoter. Loss of Ikaros results in chromatin remodeling and permits facilitated transcription from the 3' promoter; (2) Δ2 - deletion of the sequences between exon 1 and exon 26-27 in which transcription is initiated through the endogenous Notch1 promoter. Red lines indicate the transcripts produced by the class Δ1 and Δ2 deletions. Both classes of mRNA transcripts initiate protein synthesis at a conserved methionine residue (M1727), giving rise to a truncated dominant Notch1 receptor.

lines that were Notch-dependent. These data suggest that the common Notch1 mutations found in human T-ALL are likely to be secondary events that contribute to primary oncogenic hits to accelerate tumor progression. However, the tumors arising are still Notch-dependent, because treatment with pharmacological ( $\gamma$ -secretase) inhibitors reduced tumor growth. In addition, the growth dependence of T-ALL expressing weak gain-of-function Notch1 alleles, and the strong selective pressure to acquire Notch1 mutations, implied that even weak Notch signals have additional oncogenic roles in development, progression and or maintenance of the disease. Primary among these oncogenic effects are upregulation of *Myc* (c-Myc) [18–20], activation of mTOR [21], and increased PI(3)-kinase/Akt signaling [22], all of which have been implicated in the sustained growth of T-ALL cells by Notch1 (Figure 3).

#### Mechanistic differences in oncogenic Notch1 activation in mice and humans

Notch receptors comprise a large extracellular domain consisting of EGFR and a negative regulatory region (LNR) that prevents Notch proteolytic cleavage and activation in the absence of ligands (Figure 1). Thus, it is not surprising that during human T-ALL progression, there is a strong selection for ligand-independent *NOTCH1* mutant alleles. The most common *NOTCH1* mutations in human T-ALL are clustered within the hydrophobic core of the HD, allowing for ligand-independent cleavage. By contrast, the most common mutations in murine T-ALL are

truncations of the PEST domain that enhance the stability of the truncated protein, but mutations in the HD domain are rare [16]. The mutations found in the PEST domain of murine T-ALLs usually arise in leukemogenic backgrounds, such as deficiencies of E2A [23], p53 [24], or Ikaros [25], as well as *Tal1* misexpression [24] or constitutive K-ras signaling [17,26]. Because PEST deletions alone are not oncogenic and most of the murine T-ALLs do not carry mutations in the HD domain, the question how ligand-independent Notch1 activation is initiated in these tumors remained to be clarified. Three recent publications shed new light on this question, and defined deletion-based mechanisms, as well as alternative promoter usage, to support ligand-independent signaling in Notch1 induced T-ALL [27–29]. Historically, the first clues came from studies characterizing radiation-induced and *Atm*<sup>-/-</sup> T-ALLs, which carried deletion breakpoints at the 5' end of the *Notch1* gene, and the observation that some tumors generated abnormal, short Notch1 transcripts through illegitimate V(D)J recombination [30–32]. Therefore, a panel of murine T-ALL cell lines was examined, revealing that most of them harbor deletions within the 5' region of the *Notch1* gene. These deletions can be divided into two classes: (a) deletions that remove exon 1 and the proximal promoter, and that are RAG-mediated, and (b) deletions that remove sequences between exon 1 and 26 to 28, and that are RAG-independent (Figure 2b). The RAG-mediated deletions activate an internal promoter that lies within or adjacent to exon 25, and drives the expression of 5' deleted



TRENDS in Immunology

**Figure 3. Downstream signaling pathways and molecules implicated in Notch1-mediated T-ALL.** The signaling pathways of activated Notch1 in T-ALL are shown. Indicated are positive (arrows) and negative (blocking bars) regulatory interactions contributing to the development and/or maintenance of T-ALL. Growth promoting signaling pathways and molecules are highlighted in blue, whereas growth inhibitory molecules are shown in red. The function of growth inhibitory molecules is often lost in T-ALL, and molecules regulating growth and proliferation are augmented and upregulated. Skip2, S-phase kinase interacting protein 2; NFAT, nuclear factor-activated T cells; miR-451, micro RNA-451, miR-709, micro RNA-709; Ras-GFR1, Ras protein-specific guanine nucleotide-releasing factor 1; CYLD – Cylindromatosis susceptibility gene; NF- $\kappa$ B, nuclear factor ‘kappa-light-chain-enhancer’ of activated B-cells; PTEN, phosphatase and tensin homolog; PI3K, phosphoinositol 3-kinase; mTOR, mammalian target of rapamycin; IL-7R $\alpha$ , Interleukin-7 receptor alpha.

*Notch1* transcripts. ChIP-Seq data-mining analysis revealed that RAG2 associates with the 5' end of *Notch1* in normal thymocytes [28]. Presumably, once RAG2 binds the *Notch1* promoter it can recruit RAG1, forming a functional recombinase that mediates illegitimate recombination events because of the presence of ectopic RAG signal sequences. The second type of deletions that remove the region from exon 2 to exon 26-28 occur less frequently, leading to expression of aberrant splice variants from the 5' proximal promoter. Although the mechanism for the acquisition of these deletions is not clear, they can arise through random DNA breaks and non-homologous end-joining reactions. Nevertheless, the aberrant transcripts of both classes of deletions initiate translation at a conserved methionine residue (M1727) in the N-terminal region of the transmembrane domain of Notch1 just upstream of the  $\gamma$ -secretase cleavage site (Figure 2b). This results in the generation of a truncated, dominant, active Notch1 protein that is still transported to the cell surface, and therefore requires  $\gamma$ -secretase cleavage. This is in line with findings that murine T-ALLs are highly sensitive to  $\gamma$ -secretase inhibition [28].

Two parallel studies demonstrate that loss of Ikaros also potentiates strongly the transcription of *Notch1* alleles

harboring 5' deletions [27,29]. Ikaros can bind to the same DNA-binding sequence as RBPJ $\kappa$ , and thereby represses Notch target genes [33]. Although inactivating Ikaros mutations are rare in human T-ALL, they occur frequently in mice [34]. Loss-of-function Ikaros mutations cooperate with activating Notch mutations to promote murine T-ALL, suggesting that Ikaros deficiency leads to enhanced Notch target gene expression [25,35]. Supporting this idea are data generated by conditional inactivation of RBPJ $\kappa$  that delayed markedly the onset of T-ALL in Ikaros-deficient mice expressing hypomorphic Ikaros. Thus, T-ALL induced by loss of Ikaros requires canonical Notch signaling. Surprisingly, the onset of T-ALL was enhanced markedly when Ikaros-deficient mice were intercrossed with conditional gene targeted mice for Notch1, in which the 5' end of the *Notch1* gene was deleted by the expression of a T cell-specific Cre recombinase [27,29]. This deletion also activates the same cryptic promoter in exon 25 of *Notch1* that was responsible for generating aberrant transcripts in tumors with RAG-mediated deletions [28]. These mice expressed high levels of an abnormal short *Notch1* transcript encoding a highly active, truncated Notch1 protein, which frequently accumulated mutations within the PEST domain [27]. Epigenetic studies of the *Notch1* locus

revealed that loss of Ikaros leads to a permissive chromatin configuration and, thus, to the derepression of cryptic promoters present between exon 25 and 27. This results in the generation of aberrant short *Notch1* transcripts, which initiate protein translation at the conserved methionine residue M1727 [27,29]. Therefore, the presence of Ikaros at binding sites within the *Notch1* gene locus is required to restrict chromatin accessibility and allows proper gene regulation. Sequence analysis of these cryptic promoter regions within the *Notch1* gene revealed the presence of multiple E2A binding sites within or near the Ikaros binding sites. This would suggest that loss of E2A and Ikaros could participate in a common mechanism of transformation generating aberrant *Notch1* transcripts in T-ALL that carry deletions of the 5' region of the *Notch1* gene. Indeed, *Notch1* promoter usage in E2A-deficient leukemic cells resulted predominantly in alternative *Notch1* transcripts [29]. As a result, these studies indicate that Ikaros, E2A and possibly other proteins restrict chromatin accessibility, thereby suppressing transcriptional initiation from the 3' end of *Notch1*, and thus act as tumor suppressors under physiological conditions.

### Affected signaling pathways by aberrant Notch signaling

It has long been known that *Notch1* signaling is essential for normal T cell fate specification, as well as thymocyte maturation and progression through and beyond the  $\beta$ -selection checkpoint. Thus, it is not surprising that genes and signaling pathways identified downstream of *Notch1* in T-ALL cell lines and *in vivo* mouse models are linked to their physiological role in normal T cell development. The function of aberrant *Notch1* signaling in T-ALL can therefore be inferred from its normal purpose. In the context of T cell transformation, signaling through the *Notch1* receptor elicits a program of gene expression that supports cell survival and growth, and represses cell cycle arrest and apoptosis. Novel and controversial insights for some of the key players will be discussed below and are highlighted in Figure 2.

The best-characterized direct target genes include the bHLH transcriptional repressor *Hes1* [18,20,36–38] and the transcription factor *c-Myc* [18–20,39]. Important pathways activated through *Notch1* signaling include the PI(3)-kinase/Akt [22,40,41] and mTOR [21,42] signaling cascades. Recently, *Hes1* was shown to be a key regulator in the induction and maintenance of T-ALL [37,38,43]. The use of conditional loss-of-function studies revealed that the transcriptional repressor *Hes1* is required for efficient T cell development, and in parallel, *Hes1* is also crucial for the development and maintenance of *Notch1*-induced murine T-ALL [38]. T-ALL cells seem to require persistent *Hes1* expression, since *Hes1*-deficient cells disappear out of the tumor cell population. T-ALL dependence on *Hes1* was not only limited to the mouse model, because lentivirus-mediated knockdown of *Hes1* in human T-ALL cell lines resulted in a severe block in proliferation followed by increased cell death. These studies indicated that *Notch1*-induced T-ALL are *Hes1* dependent, and that *Hes1* might have a conserved function in human and mouse T-ALL [38]. Several suggestions for how *Hes1*

exerts mechanistically its function in T-ALL have been made; nevertheless this issue seems to be unresolved and needs further investigation. Using fly and human T-ALL cell lines, one study implicated *Hes1* in the transcriptional repression of *PTEN* expression [22]. *PTEN* is an important tumor suppressor that counteracts the PI(3)-kinase activity, and thereby negatively regulates the Akt/mTOR pathway (Figure 3). However, in a T-ALL mouse model with conditional *Hes1* deficiency, *PTEN* expression and phospho-Akt levels were unchanged, suggesting that other *Notch* target genes might be able to compensate for the loss of *Hes1* [21]. Thus, the negative effect of *Hes1* deficiency on T-ALL development and maintenance must be mediated through other target proteins. Recently, another study implied that *Hes1* might repress the deubiquitinase *CYLD*, which is a negative IKK complex regulator, and thereby sustains NF- $\kappa$ B activation in T-ALL [37,43] (Figure 3). *CYLD* was shown originally to be a tumor suppressor in the skin, and mutations have been identified in familial cylindromatosis [44]. The fact that cylindromatosis patients do not have an increased risk to develop T-ALL, and that *CYLD* mutations have not been identified in T-ALL patients, indicate that *Notch* signaling, at least in part, must be able to maintain high NF- $\kappa$ B signaling through alternative pathways.

In normal thymocytes, expression of the proto-oncogene *c-myc* directly correlates with *Notch* receptor expression, and thus peaks during  $\beta$ -selection. *c-Myc* is also a consistently expressed downstream target of NICD in human and mouse T-ALL cell lines (Figure 3). Inhibition of *Notch* signaling in these cell lines downregulates rapidly *c-Myc*, and some T-ALL cell lines can be rescued from loss of *Notch* signaling by enforced overexpression of *c-Myc* alone [18–21,45]. However, murine T-ALL cell lines that depend upon ectopic *c-Myc* overexpression can be rescued from *Myc* withdrawal through NICD1 expression, which induces sufficient levels of endogenous *c-Myc* [18]. Moreover, a model for a feed-forward loop, through which *Notch* and *c-Myc* reinforce the expression of genes required for growth of leukemic cells, has been established recently [20]. These results suggest that *Notch*-mediated *c-Myc* expression is crucial for the maintenance of T-ALL. This view was recently challenged by a study employing a tetracycline inducible mouse model for T-ALL, in which *c-Myc* expression can be turned off in the presence of constitutive NICD or vice versa. In this experimental setting, continuous expression of NICD, but not *c-Myc* was required for the maintenance of T-ALL, indicating that *c-Myc* is incapable of maintaining the murine T-ALL tumors in the absence of NICD [46]. These results contrast most of the data obtained with T-ALL cell lines. It is possible that this controversy might be caused by differences in *c-Myc* expression levels used in both experimental systems. It is conceivable that T-ALL maintenance requires a certain threshold of *c-Myc* expression, which might have been reached in one but not the other experimental setting.

Although the complex crosstalk between *Notch*, the signaling pathways and the molecules discussed above, and the additional interactions outlined in Figure 2 are only understood incompletely, it emphasizes the pleiotropic functions of *Notch1* signaling. These functions are, to a

large extent, reflected as well in its physiological role during T cell development.

### Tumor-promoting and suppressive miRNA in Notch-induced T-ALL

Micro RNAs (miRNAs), small noncoding RNAs of 19-22 nucleotides, play crucial roles in the translational regulation of protein expression by posttranscriptional silencing. miRNAs are fundamental regulators of physiologically significant cellular processes, and thus, it is not surprising that the deregulation of miRNAs seems to play an important role in human cancers. It has become obvious that miRNAs act as crucial regulators during tumorigenesis, either as oncogenes, as tumor suppressors or even as both, depending on the phase of tumor progression. A role for miRNAs was attributed to affect the normal developmental transitions in T cells through the modulation of TCR signaling strength [44]; however, the involvement of miRNAs in T-ALL has only been shown recently. A novel translocation targeting the miR-17-19 cluster was reported to coincide with a rearrangement, which in turn activates Notch1 [47], thereby identifying the interaction between NOTCH1 and miR-19 as a relevant pathogenic mechanism in T-ALL. Coexistence of two translocations activating the NOTCH1 gene (t(9;14)(q34;q11)) and targeting the 17-19 cluster (t(13;14)(q32;q11)) was found in the same leukemic clone. Mechanistically, miR-19 acts on several negative regulators of the PI(3)-kinase pathway, which regulate cell survival in lymphocytes and thus contribute to leukemic progression.

By contrast, miRNAs can also act as tumor suppressors, and recent studies associate tumor suppressive functions during tumor maintenance and metastasis. Examples of miRNAs with tumor suppressing activities include miR-15a, miR-16-1 and let7 (reviewed in [43]). In a very recent publication, two novel miRNAs, miR-451 and miR-709, were identified in NICD1-overexpressing CD4<sup>+</sup>CD8<sup>+</sup> T cells through miRNA expression profiling [48]. Both miRNAs are transcriptional targets of the bHLH E2A tumor suppressor, which itself is degraded upon NICD1 induction in murine T-ALL cells [39,45]. The *c-Myc* oncogene is a target of both miRNAs in mouse T-ALL and human T-ALL cell lines, whereas the miR-709, which has no human homologue, also represses efficiently the oncogenes *Akt* and *Ras-GRF1* in murine T-ALL cells. The concomitant expression of both miRNAs – miR-451 and miR-709 – could block efficiently tumor induction in a retroviral NICD1-induced T-ALL mouse model. However, once the NICD1 tumor was established in the mouse, reexpression of miR-451 and miR-709 at physiological levels could only slow tumor progression slightly, because of a counter-selection against cells that expressed increased amounts of two miRNAs. It was suggested that increased Notch activity facilitates the degradation of E2A that would lead to the transcriptional downregulation of miR-451 and miR-709. This, in turn, would lead to the derepression of *c-myc* and *Akt* and possibly increased Ras signaling (Figure 3), and thus promote T-ALL progression. The expression of miR-451 alone in human T-ALL cell lines had no effect on the growth of these cells, and could only inhibit the cell growth in combination with a  $\gamma$ -secretase inhibitor (MRK-003).

This implies that miR-451 alone is not able to exert enough tumor suppressive activity, and will most probably work in concert with other regulatory mechanisms to control cell growth and proliferation.

Taken together, the two publications discussed above reveal another facet of control mechanisms in human T-ALL bearing NOTCH1 mutations. However, the mechanistic role of these miRNAs, and possibly others, awaits further clarification.

### Concluding remarks

Although T-ALL is a heterogeneous disease in which multiple genetic aberrations cooperate to deregulate proliferation, differentiation and survival of immature thymocytes, more than half of the patients carry activating mutations within the *NOTCH1* gene, highlighting its central role in the disease. The oncogenic role of Notch1 is a reflection of its physiological function during normal T cell development. Notch1 is a master regulator for T cell lineage commitment and maturation. However, if Notch1 signaling is not appropriately regulated and shut off at a precise stage during thymocyte development, it exerts oncogenic functions. This will lead to sustained activation of proto-oncogenes and repression of tumor suppressors, in part also by regulating microRNA expression. Recent findings reveal substantial differences in the acquisition of activating Notch1 mutations between murine and human T-ALL. These probably reflect differences in the Notch1 promoter, which favor deletions within the 5' region of the Notch1 gene in mouse T-ALL. Despite those differences, Notch1 itself, as well some of its downstream molecules, represent prime targets for developing novel anticancer therapies to fight T-ALL.

### Acknowledgements

This work was supported in part by the Swiss National Science Foundation and Oncosuisse.

### References

- Pui, C.H. and Evans, W.E. (2006) Treatment of acute lymphoblastic leukemia. *N. Engl. J. Med.* 354, 166–178
- Van Vlierberghe, P. *et al.* (2008) Molecular-genetic insights in paediatric T-cell acute lymphoblastic leukaemia. *Br. J. Haematol.* 143, 153–168
- Soulier, J. *et al.* (2005) HOXA genes are included in genetic and biologic networks defining human acute T-cell leukemia (T-ALL). *Blood* 106, 274–286
- Ferrando, A.A. *et al.* (2002) Gene expression signatures define novel oncogenic pathways in T cell acute lymphoblastic leukemia. *Cancer Cell* 1, 75–87
- Bray, S.J. (2006) Notch signalling: a simple pathway becomes complex. *Nat. Rev. Mol. Cell Biol.* 7, 678–689
- Ellisen, L.W. *et al.* (1991) TAN-1, the human homolog of the *Drosophila* notch gene, is broken by chromosomal translocations in T lymphoblastic neoplasms. *Cell* 66, 649–661
- Reynolds, T.C. *et al.* (1987) Analysis of DNA surrounding the breakpoints of chromosomal translocations involving the beta T cell receptor gene in human lymphoblastic neoplasms. *Cell* 50, 107–117
- Capobianco, A.J. *et al.* (1997) Neoplastic transformation by truncated alleles of human NOTCH1/TAN1 and NOTCH2. *Mol. Cell. Biol.* 17, 6265–6273
- Pear, W.S. *et al.* (1996) Exclusive development of T cell neoplasms in mice transplanted with bone marrow expressing activated Notch alleles. *J. Exp. Med.* 183, 2283–2291
- Ma, S.K. *et al.* (1999) Cytogenetics and molecular genetics of childhood leukemia. *Hematol. Oncol.* 17, 91–105

- 11 Weng, A.P. *et al.* (2004) Activating mutations of NOTCH1 in human T cell acute lymphoblastic leukemia. *Science* 306, 269–271
- 12 Chiang, M.Y. *et al.* (2006) Identification of a conserved negative regulatory sequence that influences the leukemogenic activity of NOTCH1. *Mol. Cell. Biol.* 26, 6261–6271
- 13 Malecki, M.J. *et al.* (2006) Leukemia-associated mutations within the NOTCH1 heterodimerization domain fall into at least two distinct mechanistic classes. *Mol. Cell. Biol.* 26, 4642–4651
- 14 Bellavia, D. *et al.* (2000) Constitutive activation of NF-kappaB and T-cell leukemia/lymphoma in Notch3 transgenic mice. *EMBO J.* 19, 3337–3348
- 15 Robey, E. *et al.* (1996) An activated form of Notch influences the choice between CD4 and CD8 T cell lineages. *Cell* 87, 483–492
- 16 Aster, J.C. *et al.* (2008) Notch signaling in leukemia. *Annu. Rev. Pathol.* 3, 587–613
- 17 Chiang, M.Y. *et al.* (2008) Leukemia-associated NOTCH1 alleles are weak tumor initiators but accelerate K-ras-initiated leukemia. *J. Clin. Invest.* 118, 3181–3194
- 18 Weng, A.P. *et al.* (2006) c-Myc is an important direct target of Notch1 in T-cell acute lymphoblastic leukemia/lymphoma. *Genes Dev.* 20, 2096–2109
- 19 Sharma, V.M. *et al.* (2006) Notch1 contributes to mouse T-cell leukemia by directly inducing the expression of c-myc. *Mol. Cell. Biol.* 26, 8022–8031
- 20 Palomero, T. *et al.* (2006) NOTCH1 directly regulates c-MYC and activates a feed-forward-loop transcriptional network promoting leukemic cell growth. *PNAS* 103, 18261–18266
- 21 Chan, S.M. *et al.* (2007) Notch signals positively regulate activity of the mTOR pathway in T-cell acute lymphoblastic leukemia. *Blood* 110, 278–286
- 22 Palomero, T. *et al.* (2007) Mutational loss of PTEN induces resistance to NOTCH1 inhibition in T-cell leukemia. *Nat. Med.* 13, 1203–1210
- 23 Reschly, E.J. *et al.* (2006) Notch1 promotes survival of E2A-deficient T cell lymphomas through pre-T cell receptor-dependent and -independent mechanisms. *Blood* 107, 4115–4121
- 24 O'Neil, J. *et al.* (2006) Activating Notch1 mutations in mouse models of T-ALL. *Blood* 107, 781–785
- 25 Dumortier, A. *et al.* (2006) Notch activation is an early and critical event during T-cell leukemogenesis in Ikaros-deficient mice. *Mol. Cell. Biol.* 26, 209–220
- 26 Kindler, T. *et al.* (2008) K-RasG12D-induced T-cell lymphoblastic lymphoma/leukemias harbor Notch1 mutations and are sensitive to gamma-secretase inhibitors. *Blood* 112, 3373–3382
- 27 Jeannot, R. *et al.* (2010) Oncogenic activation of the Notch1 gene by deletion of its promoter in Ikaros-deficient T-ALL. *Blood* 116, 5443–5454
- 28 Ashworth, T.D. *et al.* (2010) Deletion-based mechanisms of Notch1 activation in T-ALL: key roles for RAG recombinase and a conserved internal translational start site in Notch1. *Blood* 116, 5455–5464
- 29 Gomez-del Arco, P. *et al.* (2010) Alternative promoter usage at the Notch1 locus supports ligand-independent signaling in T cell development and leukemogenesis. *Immunity* 33, 685–698
- 30 Tsuji, H. *et al.* (2004) Involvement of illegitimate V(D)J recombination or microhomology-mediated nonhomologous end-joining in the formation of intragenic deletions of the Notch1 gene in mouse thymic lymphomas. *Cancer Res.* 64, 8882–8890
- 31 Tsuji, H. *et al.* (2009) Rag-dependent and Rag-independent mechanisms of Notch1 rearrangement in thymic lymphomas of Atm(-/-) and scid mice. *Mutat. Res.* 660, 22–32
- 32 Tsuji, H. *et al.* (2003) Radiation-induced deletions in the 5' end region of Notch1 lead to the formation of truncated proteins and are involved in the development of mouse thymic lymphomas. *Carcinogenesis* 24, 1257–1268
- 33 Chari, S. and Winandy, S. (2008) Ikaros regulates Notch target gene expression in developing thymocytes. *J. Immunol.* 181, 6265–6274
- 34 Marçais, A. *et al.* (2010) Genetic inactivation of Ikaros is a rare event in human T-ALL. *Leuk. Res.* 34, 426–429
- 35 Beverly, L.J. and Capobianco, A.J. (2003) Perturbation of Ikaros isoform selection by MLV integration is a cooperative event in Notch(IC)-induced T cell leukemogenesis. *Cancer Cell* 3, 551–564
- 36 Dudley, D.D. *et al.* (2009) Hes1 potentiates T cell lymphomagenesis by up-regulating a subset of notch target genes. *PLoS ONE* 4, e6678
- 37 Espinosa, L. *et al.* (2010) The Notch/Hes1 pathway sustains NF-kappaB activation through CYLD repression in T cell leukemia. *Cancer Cell* 18, 268–281
- 38 Wendorff, A.A. *et al.* (2010) Hes1 is a critical but context-dependent mediator of canonical Notch signaling in lymphocyte development and transformation. *Immunity* 33, 671–684
- 39 Li, X. *et al.* (2008) Oncogenesis of T-ALL and nonmalignant consequences of overexpressing intracellular NOTCH1. *J. Exp. Med.* 205, 2851–2861
- 40 Ciofani, M. and Zuniga-Pflucker, J.C. (2005) Notch promotes survival of pre-T cells at the beta-selection checkpoint by regulating cellular metabolism. *Nat. Immunol.* 6, 881–888
- 41 Sade, H. *et al.* (2004) The anti-apoptotic effect of Notch-1 requires p56lck-dependent, Akt/PKB-mediated signaling in T cells. *J. Biol. Chem.* 279, 2937–2944
- 42 Cullion, K. *et al.* (2009) Targeting the Notch1 and mTOR pathways in a mouse T-ALL model. *Blood* 113, 6172–6181
- 43 D'Altri, T. *et al.* (2011) Hes1 expression and CYLD repression are essential events downstream of Notch1 in T-cell leukemia. *Cell Cycle* 10, 1031–1036
- 44 Bignell, G.R. *et al.* (2000) Identification of the familial cylindromatosis tumour-suppressor gene. *Nat. Genet.* 25, 160–165
- 45 Sharma, V.M. *et al.* (2007) The Notch1/c-Myc pathway in T cell leukemia. *Cell Cycle* 6, 927–930
- 46 Demarest, R.M. *et al.* (2011) Notch is oncogenic dominant in T-cell acute lymphoblastic leukemia. *Blood* 117, 2901–2909
- 47 Mavrakis, K.J. *et al.* (2010) Genome-wide RNA-mediated interference screen identifies miR-19 targets in Notch-induced T-cell acute lymphoblastic leukaemia. *Nat. Cell Biol.* 12, 372–379
- 48 Li, X. *et al.* (2011) Repression of tumor suppressor miR-451 is essential for NOTCH1-induced oncogenesis in T-ALL. *J. Exp. Med.* 208, 663–675
- 49 Bash, R.O. *et al.* (1995) Does activation of the TAL1 gene occur in a majority of patients with T-cell acute lymphoblastic leukemia? A pediatric oncology group study. *Blood* 86, 666–676
- 50 van Grotel, M. *et al.* (2006) The outcome of molecular-cytogenetic subgroups in pediatric T-cell acute lymphoblastic leukemia: a retrospective study of patients treated according to DCOG or COALL protocols. *Haematologica* 91, 1212–1221
- 51 Hwang, L.Y. and Baer, R.J. (1995) The role of chromosome translocations in T cell acute leukemia. *Curr. Opin. Immunol.* 7, 659–664
- 52 Wang, J. *et al.* (2000) The t(14;21)(q11.2;q22) chromosomal translocation associated with T-cell acute lymphoblastic leukemia activates the BHLHB1 gene. *Proc. Natl. Acad. Sci. U.S.A.* 97, 3497–3502
- 53 Erikson, J. *et al.* (1986) Deregulation of c-myc by translocation of the alpha-locus of the T-cell receptor in T-cell leukemias. *Science* 232, 884–886
- 54 McKeithan, T.W. *et al.* (1986) Molecular cloning of the breakpoint junction of a human chromosomal 8;14 translocation involving the T-cell receptor alpha-chain gene and sequences on the 3' side of MYC. *Proc. Natl. Acad. Sci. U.S.A.* 83, 6636–6640
- 55 Shima, E.A. *et al.* (1986) Gene encoding the alpha chain of the T-cell receptor is moved immediately downstream of c-myc in a chromosomal 8;14 translocation in a cell line from a human T-cell leukemia. *Proc. Natl. Acad. Sci. U.S.A.* 83, 3439–3443
- 56 Boehm, T. *et al.* (1991) The rhombotin family of cysteine-rich LIM-domain oncogenes: distinct members are involved in T-cell translocations to human chromosomes 11p15 and 11p13. *Proc. Natl. Acad. Sci. U.S.A.* 88, 4367–4371
- 57 Royer-Pokora, B. *et al.* (1991) TTG-2, a new gene encoding a cysteine-rich protein with the LIM motif, is overexpressed in acute T-cell leukaemia with the t(11;14)(p13;q11). *Oncogene* 6, 1887–1893
- 58 Royer-Pokora, B. *et al.* (1995) The TTG-2/RBTN2 T cell oncogene encodes two alternative transcripts from two promoters: the distal promoter is removed by most 11p13 translocations in acute T cell leukaemias (T-ALL). *Oncogene* 10, 1353–1360
- 59 Sanchez-Garcia, I. and Rabbitts, T.H. (1993) LIM domain proteins in leukaemia and development. *Semin. Cancer Biol.* 4, 349–358
- 60 Cave, H. *et al.* (2004) Clinical significance of HOX11L2 expression linked to t(5;14)(q35;q32), of HOX11 expression, and of SIL-TAL fusion in childhood T-cell malignancies: results of EORTC studies 58881 and 58951. *Blood* 103, 442–450
- 61 Hatano, M. *et al.* (1991) Deregulation of a homeobox gene, HOX11, by the t(10;14) in T cell leukemia. *Science* 253, 79–82



- 62 Lu, M. *et al.* (1991) The *tcl-3* proto-oncogene altered by chromosomal translocation in T-cell leukemia codes for a homeobox protein. *EMBO J.* 10, 2905–2910
- 63 Ballerini, P. *et al.* (2002) *HOX11L2* expression defines a clinical subtype of pediatric T-ALL associated with poor prognosis. *Blood* 100, 991–997
- 64 Clappier, E. *et al.* (2007) The *C-MYB* locus is involved in chromosomal translocation and genomic duplications in human T-cell acute leukemia (T-ALL), the translocation defining a new T-ALL subtype in very young children. *Blood* 110, 1251–1261
- 65 Batova, A. *et al.* (1997) Frequent and selective methylation of p15 and deletion of both p15 and p16 in T-cell acute lymphoblastic leukemia. *Cancer Res.* 57, 832–836
- 66 Diccianni, M.B. *et al.* (1997) Shortened survival after relapse in T-cell acute lymphoblastic leukemia patients with p16/p15 deletions. *Leuk. Res.* 21, 549–558
- 67 Cauwelier, B. *et al.* (2007) Clinical, cytogenetic and molecular characteristics of 14 T-ALL patients carrying the *TCRbeta-HOXA* rearrangement: a study of the Groupe Francophone de Cytogenetique Hematologique. *Leukemia* 21, 121–128
- 68 Lahortiga, I. *et al.* (2007) Duplication of the *MYB* oncogene in T cell acute lymphoblastic leukemia. *Nat. Genet.* 39, 593–595
- 69 De Keersmaecker, K. *et al.* (2005) Fusion of *EML1* to *ABL1* in T-cell acute lymphoblastic leukemia with cryptic *t(9;14)(q34;q32)*. *Blood* 105, 4849–4852
- 70 Van Limbergen, H. *et al.* (2001) Molecular cytogenetic and clinical findings in *ETV6/ABL1*-positive leukemia. *Genes Chromosomes Cancer* 30, 274–282
- 71 Burmeister, T. *et al.* (2006) *NUP214-ABL1* in adult T-ALL: the GMALL study group experience. *Blood* 108, 3556–3559
- 72 Graux, C. *et al.* (2004) Fusion of *NUP214* to *ABL1* on amplified episomes in T-cell acute lymphoblastic leukemia. *Nat. Genet.* 36, 1084–1089
- 73 Ferrando, A.A. *et al.* (2003) Gene expression signatures in *MLL*-rearranged T-lineage and B-precursor acute leukemias: dominance of *HOX* dysregulation. *Blood* 102, 262–268
- 74 O'Neil, J. *et al.* (2007) *FBW7* mutations in leukemic cells mediate NOTCH pathway activation and resistance to gamma-secretase inhibitors. *J. Exp. Med.* 204, 1813–1824
- 75 Thompson, B.J. *et al.* (2007) The *SCFFBW7* ubiquitin ligase complex as a tumor suppressor in T cell leukemia. *J. Exp. Med.* 204, 1825–1835
- 76 Gutierrez, A. *et al.* (2009) High frequency of *PTEN*, *PI3K*, and *AKT* abnormalities in T-cell acute lymphoblastic leukemia. *Blood* 114, 647–650
- 77 Medyouf, H. *et al.* (2009) Acute T-cell leukemias remain dependent on Notch signaling despite *PTEN* and *INK4A/ARF* loss. *Blood*
- 78 Seiffert, D. *et al.* (2000) *Presenilin-1* and *-2* are molecular targets for gamma-secretase inhibitors. *J. Biol. Chem.* 275, 34086–34091
- 79 Milano, J. *et al.* (2004) Modulation of notch processing by gamma-secretase inhibitors causes intestinal goblet cell metaplasia and induction of genes known to specify gut secretory lineage differentiation. *Toxicol. Sci.* 82, 341–358
- 80 Riccio, O. *et al.* (2008) Loss of intestinal crypt progenitor cells owing to inactivation of both *Notch1* and *Notch2* is accompanied by derepression of *CDK* inhibitors *p27(Kip1)* and *p57(Kip2)*. *EMBO Rep.* 9, 377–383
- 81 Real, P.J. *et al.* (2009) Gamma-secretase inhibitors reverse glucocorticoid resistance in T cell acute lymphoblastic leukemia. *Nat. Med.* 15, 50–58
- 82 Li, K. *et al.* (2008) Modulation of Notch signaling by antibodies specific for the extracellular negative regulatory region of *NOTCH3*. *J. Biol. Chem.* 283, 8046–8054
- 83 Wu, Y. *et al.* (2010) Therapeutic antibody targeting of individual Notch receptors. *Nature* 464, 1052–1057
- 84 Noguera-Troise, I. *et al.* (2006) Blockade of *Dll4* inhibits tumour growth by promoting non-productive angiogenesis. *Nature* 444, 1032–1037
- 85 Ridgway, J. *et al.* (2006) Inhibition of *Dll4* signalling inhibits tumour growth by deregulating angiogenesis. *Nature* 444, 1083–1087
- 86 Aste-Amezaga, M. *et al.* (2010) Characterization of *Notch1* antibodies that inhibit signaling of both normal and mutated *Notch1* receptors. *PLoS ONE* 5, e9094
- 87 Moellering, R.E. *et al.* (2009) Direct inhibition of the NOTCH transcription factor complex. *Nature* 462, 182–188