

An Integrated Circuit/Architecture Approach to Reducing Leakage in Deep-Submicron High-Performance I-Caches

Se-Hyun Yang^{†1}, Michael D. Powell[‡], Babak Falsafi^{†1}, Kaushik Roy[‡], and T. N. Vijaykumar[‡]

[†]Electrical and Computer Engineering Department
Carnegie Mellon University
{sehyun,babak}@ece.cmu.edu

[‡]School of Electrical and Computer Engineering
Purdue University
{mdpowell,kaushik,vijay}@ecn.purdue.edu

Abstract

Deep-submicron CMOS designs maintain high transistor switching speeds by scaling down the supply voltage and proportionately reducing the transistor threshold voltage. Lowering the threshold voltage increases leakage energy dissipation due to subthreshold leakage current even when the transistor is not switching. Estimates suggest a five-fold increase in leakage energy in every future generation. In modern microarchitectures, much of the leakage energy is dissipated in large on-chip cache memory structures with high transistor densities. While cache utilization varies both within and across applications, modern cache designs are fixed in size resulting in transistor leakage inefficiencies.

This paper explores an integrated architectural and circuit-level approach to reducing leakage energy in instruction caches (i-caches). At the architectural level, we propose the Dynamically Resizable i-cache (DRI i-cache), a novel i-cache design that dynamically resizes and adapts to an application's required size. At the circuit-level, we use gated- V_{dd} , a mechanism that effectively turns off the supply voltage to, and eliminates leakage in, the SRAM cells in a DRI i-cache's unused sections. Architectural and circuit-level simulation results indicate that a DRI i-cache successfully and robustly exploits the cache size variability both within and across applications. Compared to a conventional i-cache using an aggressively-scaled threshold voltage a 64K DRI i-cache reduces on average both the leakage energy-delay product and cache size by 62%, with less than 4% impact on execution time.

1 Introduction

The ever-increasing levels of on-chip integration in the recent decade have enabled phenomenal increases in computer system performance. Unfortunately, the performance improvement has been accompanied by an increase in chips' energy dissipation. Higher energy dissipation requires more expensive packaging and cooling technology, increases cost, and decreases reliability of products in all segments of computing market from portable systems to high-end servers [23]. Moreover, higher energy dissipation significantly reduces battery life and diminishes the utility of portable systems.

Historically, the primary source of energy dissipation in CMOS transistor devices has been the *dynamic energy* due to charging/discharging load capacitances when a device switches. Chip designers have relied on scaling down the transistor supply voltage in subsequent generations to reduce this dynamic energy

dissipation due to a much larger number of on-chip transistors.

Maintaining high transistor switching speeds, however, requires a commensurate down-scaling of the transistor threshold voltage along with the supply voltage [20]. The International Technology Roadmap for Semiconductors [22] predicts a steady scaling of supply voltage with a corresponding decrease in transistor threshold voltage to maintain a 30% improvement in performance every generation. Transistor threshold scaling, in turn, gives rise to a significant amount of *leakage energy* dissipation due to an exponential increase in subthreshold leakage current even when the transistor is not switching [3,7]. Borkar [3] estimates a factor of 7.5 increase in leakage current and a five-fold increase in total leakage energy dissipation in every chip generation.

State-of-the-art microprocessor designs devote a large fraction of the chip area to memory structures — e.g., multiple levels of instruction caches and data caches, translation lookaside buffers, and prediction tables. For instance, 30% of Alpha 21264 and 60% of StrongARM are devoted to cache and memory structures [14]. Unlike dynamic energy which depends on the number of actively switching transistors, leakage energy is a function of the number of on-chip transistors, independent of their switching activity. As such, caches account for a large (if not dominant) component of leakage energy dissipation in recent designs, and will continue to do so in the future. Recent energy estimates for 0.13 μ m processes indicate that leakage energy accounts for 30% of L1 cache energy and as much as 80% of L2 cache energy [8]. Unfortunately, current proposals for energy-efficient cache architectures [12,2,1] only target reducing dynamic energy and do not impact leakage energy.

There are a myriad of circuit techniques to reduce leakage energy dissipation in transistors/circuits (e.g., multi-threshold [30,25,17,28] or multi-supply [27] voltage designs, dynamic threshold [29] or dynamic supply [5] voltage designs, and transistor stacking [32]). These techniques, however, typically impact circuit performance and are only applicable to circuit sections that are not performance-critical [10]. Second, unlike embedded processor designs [15,9], techniques relying only on multiple threshold voltages may not be as effective in high-performance microprocessor designs, where the range of offered supply voltages is limited due to gate-oxide wear-out and reliability considerations [10]. Third, techniques such as dynamic supply- and threshold-voltage designs may require a sophisticated fabrication process and increase cost. Finally, the circuit techniques apply low-level leakage energy reduction at *all times* without taking into account the application behavior and the dynamic utilization of the circuits.

Current high-performance microprocessor designs incorpo-

¹This work was performed when Se-Hyun Yang and Babak Falsafi were at the School of Electrical and Computer Engineering at Purdue University.

rate multi-level cache hierarchies on chip to reduce the off-chip access frequency and improve performance. Modern cache hierarchies are designed to satisfy the demands of the most memory-intensive applications or application phases. The actual cache hierarchy utilization, however, varies widely both *within* and *across* applications. Recent studies on block frame utilization in caches [18], for instance, show that at any given instance in an application’s execution, on average over half of the block frames are “dead” — i.e., they miss upon a subsequent reference. These “dead” block frames continue dissipating leakage energy while not holding useful data.

This paper presents the first integrated architectural and circuit-level approach to reducing leakage energy dissipation in deep-submicron cache memories. We propose a novel instruction cache design, the *Dynamically Resizable instruction cache (DRI i-cache)*, which dynamically resizes itself to the size required at any point during application execution and virtually turns off the supply voltage to the cache’s unused sections to eliminate leakage. At the architectural level, a DRI i-cache relies on simple techniques to exploit variability in i-cache usage and reduce the i-cache size dynamically to capture the application’s primary instruction working set.

At the circuit level, a DRI i-cache uses a mechanism we recently proposed, *gated- V_{dd}* [19], which reduces leakage by effectively turning off the supply voltage to the SRAM cells of the cache’s unused block frames. Gated- V_{dd} may be implemented using NMOS or PMOS transistors, presenting a trade-off among area overhead, leakage reduction, and impact on performance. By curbing leakage, gated- V_{dd} enables high performance through aggressive threshold-voltage-scaling, which has been considered difficult due to inordinate increase in leakage.

We use cycle-accurate architectural simulation and circuit tools for energy estimation, and compare a DRI i-cache to a conventional i-cache using an aggressively-scaled threshold voltage to show that:

- There is a large variability in L1 i-cache utilization both *within* and *across* applications. Using a simple adaptive hardware scheme, a DRI i-cache effectively exploits this variability and significantly reduces the average size.
- A DRI i-cache effectively integrates architectural and the gated- V_{dd} circuit techniques to reduce leakage in an L1 i-cache. A DRI i-cache reduces the leakage energy-delay product by 62% with performance degradation within 4%, and by 67% with higher performance degradation.
- Our adaptive scheme gives a DRI i-cache tight control over the miss rate to keep it close to a preset value, enabling the DRI i-cache to contain both the performance degradation and the increase in lower cache levels’ energy dissipation. Moreover, the scheme is robust and performs predictably without drastic reactions to varying the adaptivity parameters.
- Because higher set-associativities encourage more downsizing, and larger sizes imply larger relative size reduction, DRI i-caches achieve even better energy-delay products with higher set-associativity and larger size.

The rest of the paper is organized as follows. In Section 2, we describe the architectural techniques to resize i-caches dynam-

ically. In Section 3, we describe the gated- V_{dd} circuit-level mechanism to reduce leakage in SRAM cells. In Section 4, we describe our experimental methodology. In Section 5, we present experimental results, and in Section 6 we discuss related work. Finally, in Section 7 we conclude the paper.

2 DRI i-cache: Reducing leakage in i-caches

This paper describes the *Dynamically Resizable instruction cache (DRI i-cache)*. The key observation behind a DRI i-cache is that there is a large variability in i-cache utilization both *within* and *across* programs leading to large energy inefficiency for conventional caches in deep-submicron designs; while the memory cells in a cache’s unused sections are not actively referenced, they leak current and dissipate energy. A DRI i-cache’s novelty is that it dynamically estimates and adapts to the required i-cache size, and uses a novel circuit-level technique, gated- V_{dd} [19], to turn off the supply voltage to the cache’s unused SRAM cells. In this section, we describe the anatomy of a DRI i-cache. In the next section, we present the circuit technique to gate a memory cell’s supply voltage.

The large variability in i-cache utilization is inherent to an application’s execution. Application programs often break the computation into distinct phases. In each phase, an application typically iterates and computes over a set of data. The code size executed in each phase dictates the required i-cache size for that phase. Our ultimate goal is to exploit the variability in the code size and the required i-cache size across application phases to save energy. The key to our leakage energy saving technique is to have a minimal impact on performance and a minimal increase in dynamic energy dissipation.

To exploit the variability in i-cache utilization, hardware (or software) must provide accurate mechanisms to determine a transition among two application phases and estimate the required new i-cache size. Inaccurate cache resizing may significantly increase the access frequency to lower cache levels, increase the dynamic energy dissipated, and degrade performance, offsetting the gains from leakage energy savings. A mechanism is also required to determine how long an application phase executes so as to select phases that have long enough execution times to amortize the resizing overhead.

In this paper, we use a simple and intuitive all-hardware design to resize an i-cache dynamically. Our approach to cache resizing increases or decreases the number of active cache sets. Alternatively, we could increase/decrease associativity, as is proposed for reducing dynamic energy in [1]. This alternative, however, has several key shortcomings. First, it assumes that we start with a base set-associative cache and is not applicable to direct-mapped caches, which are widely used due to their access latency advantages. Second, reducing associativity may increase both capacity and conflict miss rates in the cache. Hence, such an approach may increase the cache resizing overhead, significantly reducing the opportunity for energy reduction.

While many of the ideas in this paper apply to both i-caches and data caches (d-caches), we focus on i-cache designs. Because of complications involving dirty cache blocks, studying d-cache designs is beyond the scope of this paper.

In the rest of this section, we first describe the basic DRI i-cache design and the adaptive mechanisms to detect the required i-cache size. Next, we discuss the block lookup implications of a DRI i-cache. Finally, we present the impact of our design on energy dissipation and performance.

2.1 Basic DRI i-cache design

Much like conventional adaptive computing frameworks, our cache uses a set of parameters to monitor, react, and adapt to changes in application behavior and system requirements dynamically. Figure 1 depicts the anatomy of a direct-mapped DRI i-cache (the same design applies to set-associative caches). To monitor cache performance, a DRI i-cache divides an application’s execution time into fixed-length intervals, the *sense-intervals*, measured in the number of dynamic instructions (e.g., one million instructions). We use miss rate as the primary metric for monitoring cache performance. A miss counter counts the number of cache misses in each sense-interval. At the end of each sense-interval, the cache upsizes/downsizes, depending on whether the miss counter is lower/higher than a preset value, the *miss-bound* (e.g., ten thousand misses). The factor by which the cache changes size is called the *divisibility*. A divisibility of two, for instance, changes the cache size upon upsizing/downsizing by a factor of two. To prevent the cache from thrashing and downsizing to prohibitively small sizes (e.g., 1K), the *size-bound* specifies the minimum size the i-cache can assume.

All the cache parameters can be set either dynamically or statically. Because this paper is a first step towards understanding a dynamically resizable cache design, we focus on designs that statically set the values for the parameters prior to the start of program execution.

Among these parameters, the key parameters that control the i-cache’s size and performance are the miss-bound and size-bound. The combination of these two key parameters provides accurate and tight control over the cache’s performance. Miss-bound allows the cache to react and adapt to an application’s instruction working set by “bounding” the cache’s miss rate in each monitoring interval. Thus, the miss-bound provides a “fine-grain” resizing control between any two intervals independent of the cache size. Applications typically require a specific minimum cache capacity beyond which they incur a large number of capacity misses and thrash. Size-bound provides a “coarse-grain” resizing control by preventing the cache from thrashing by downsizing past a minimum size.

The other two parameters, the sense-interval length and divisibility, are less-critical to a DRI i-cache’s performance. Intuitively, the sense-interval length allows selecting a length that best matches an application’s phase transition times, and the divisibility determines the rate at which the i-cache is resized.

While the above parameters control the cache’s aggressiveness in resizing, the adaptive mechanism may need throttling to prevent repeated resizing between two sizes if the desired size lies between the two sizes. We use a simple saturating counter to detect repeated resizing between two adjacent sizes. Upon detection, our mechanism prevents downsizing (while allowing upsizing) for a fixed number of successive intervals. This simple

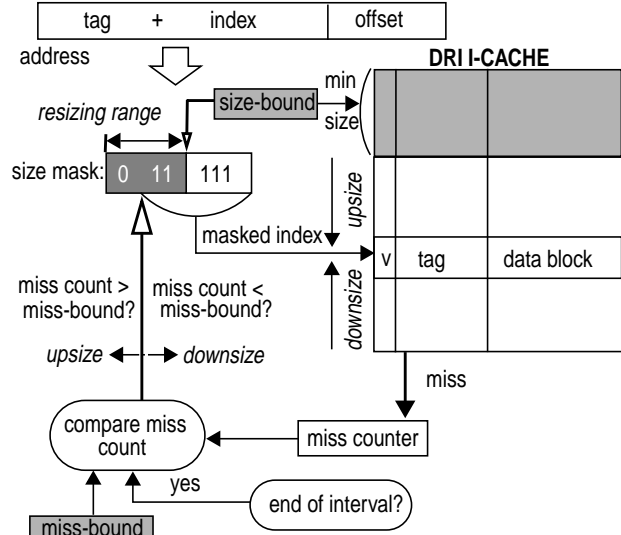


FIGURE 1. Anatomy of a DRI i-cache.

throttling mechanism works well in practice, at least for the benchmarks studied in this paper.

Resizing the cache requires that we dynamically change the cache block lookup and placement function. Conventional (direct-mapped or set-associative) i-caches use a fixed set of index bits from a memory reference to locate the set to which a block maps. Resizing the cache either reduces or increases the total number of cache sets thereby requiring a larger or smaller number of index bits to look up a set. Our design uses a mask to find the right number of index bits used for a given cache size (Figure 1). Every time the cache downsizes, the mask shifts to the right to use a smaller number of index bits and vice versa. Therefore, downsizing removes the highest-numbered sets in the cache in groups of powers of two.

Because smaller caches use a small number of index bits, they require a larger number of tag bits to distinguish data in block frames. Because a DRI i-cache dynamically changes its size, it requires a different number of tag bits for each of the different sizes. To satisfy this requirement, our design maintains as many tag bits as required by the smallest size to which the cache may downsize itself. Thus, we maintain more tag bits than conventional caches of equal size. We define the extra tag bits to be the *resizing tag bits*. The size-bound dictates the smallest allowed size and, hence, the corresponding number of resizing bits. For instance, for a 64K DRI i-cache with a size-bound of 1K, the tag array uses 16 (regular) tag bits and 6 resizing tag bits for a total of 22 tag bits to support downsizing to 1K.

2.2 Implications on cache lookups

Using the resizing tag bits, we ensure that the cache functions correctly at every individual size. However, resizing from one size to another may still cause problems in cache lookup. Because resizing modifies the set-mapping function for blocks (by changing the index bits), it may result in an incorrect lookup if the cache contents are not moved to the appropriate places or flushed before resizing. For instance, a 64K cache maintains only 16 tag bits whereas a 1K cache maintains 22 tag bits. As such,

even though downsizing the cache from 64K to 1K allows the cache to maintain the upper 1K contents, the tags are not comparable. While a simple solution, flushing the cache or moving block frames to the appropriate places may incur prohibitively large overhead. Our design does not resort to this solution because we already maintain all the tag bits necessary for the smallest cache size at all times (i.e., a 64K cache maintains the same 22 tag bits from the block address that a 1K cache would).

Moreover, upsizing the cache may complicate lookup because blocks map to different sets in different cache sizes when upsizing the cache. Such a scenario creates two problems. A lookup for a block after upsizing fails to find it, and therefore fetches and places the block into a new set. While the overhead of such (compulsory) misses after upsizing may be negligible and can be amortized over the sense-interval length, such an approach will result in multiple *aliases* of the block in the cache. Unlike d-caches, however, in the common case a processor only reads and fetches instructions from an i-cache and does not modify a block’s contents. Therefore, allowing multiple aliases does not interfere with processor lookups and instruction fetch in i-caches.

There are scenarios, however, which require invalidating all aliases of a block. Unmapping an instruction page (when swapping the page to the disk) requires invalidating all of the page’s blocks in the i-cache. Similarly, dynamic libraries require call sites which are typically placed in the heap and require coherence between the i-cache and the d-cache. Fortunately, conventional systems often resort to flushing the i-cache in these cases because such scenarios are infrequent. Moreover, these operations typically involve OS intervention and incur high overheads, amortizing the cache flush overhead.

Compared to a conventional cache, the DRI i-cache has one extra gate delay in the index path due to the size mask (Figure 1), which may impact the cache lookup time. Because the size mask is modified at most only once every sense-interval, which is usually of the order of a million cycles, implementation of the extra gate level can be optimized to minimize delay. For instance, the size mask inputs to the extra gate level can be set up well ahead of the address, minimizing the index path delay. Furthermore, the extra gate level can also be folded into the address decode tree of the cache’s tag and data arrays. Hence, in the remainder of the paper we assume that the extra gate delay does not significantly impact the cache lookup time.

2.3 Impact on energy and performance

Cache resizing helps reduce leakage energy by allowing a DRI i-cache to turn off the cache’s unused sections. Resizing, however, may adversely impact the miss rate (as compared to a conventional i-cache) and the access frequency to the lower-level (L2) cache. The resulting increase in L2 accesses may impact both execution time and the dynamic energy dissipated in L2. While the impact on execution time depends on an application’s sensitivity to i-cache performance, the higher miss rate may significantly impact the dynamic energy dissipated due to the growing size of on-chip L2 caches [1]. We present energy calculations in Section 5.2.1 to show that for a DRI i-cache to cause significant increase in the L2 dynamic energy, the extra L1 misses have to be considerably large in number. In Section 5.3, we present

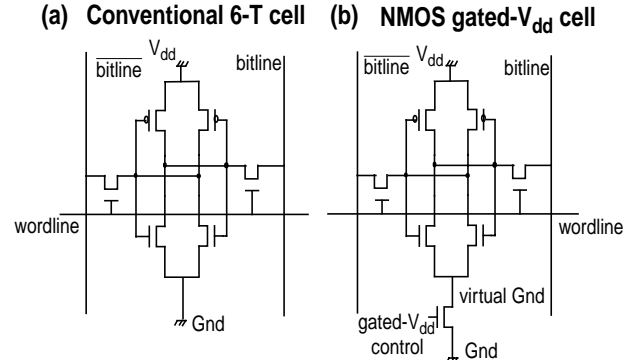


FIGURE 2. 6-T SRAM cell schematics: (a) conventional, (b) with NMOS gated- V_{dd} .

experimental results that indicate that the extra L1 misses are usually small in number.

In addition to potentially increasing the L2 dynamic energy, a DRI i-cache may dissipate more dynamic energy due to the resizing tag bits, as compared to a conventional design. We present energy calculations in Section 5.2.1 and experimental results in Section 5.3 that indicate that the resizing tag bits have minimal impact on a DRI i-cache’s energy.

Finally, the resizing circuitry may increase energy dissipation offsetting the gains from cache resizing. The counters required to implement resizing have a small number of bits compared to the cache, making their leakage negligible. Using the argument that the i^{th} bit in a counter switches once only every 2^i increments, we can show that the average number of bits switching on a counter increment is less than two. Thus the dynamic energy of the counters is also small. The energy dissipated to drive the resizing control lines can be neglected because resizing occurs infrequently (e.g., once every one million instructions).

2.3.1 Controlling extra misses

Because a DRI i-cache’s miss rate impacts both energy and performance, the cache uses its key parameters to achieve tight control over its miss rate. There are two sources of increase in the miss rate when resizing. First, resizing may require remapping of data into the cache and incur a large number of (compulsory) misses at the beginning of a sense-interval. The resizing overhead is dependent on both the resizing frequency and the sense-interval length. Fortunately, applications tend to have at most a small number of well-defined phase boundaries at which the i-cache size requirements drastically change due to a change in the instruction working set size. Furthermore, the throttling mechanism helps reduce unnecessary resizing, virtually eliminating frequent resizing between two adjacent sizes, in practice. Our results indicate that optimal interval lengths to match application phase transition times are long enough to amortize the overhead of moving blocks around at the beginning of an interval (Section 5.3).

Second, downsizing may be suboptimal and result in a significant increase in miss rate when the required cache size is slightly below a given size. The impact on the miss rate is highest at small cache sizes when the cache begins to thrash. A DRI i-caches uses the size-bound to guarantee a minimum size preventing the cache from thrashing.

Miss-bound and size-bound control a DRI i-cache’s aggressiveness in reducing the cache size and leakage energy. In an aggressive DRI i-cache configuration with a large miss-bound and a small size-bound, the cache is allowed to resize more often and to small cache sizes, thereby aggressively reducing leakage at the cost of high performance degradation. A conservative DRI i-cache configuration maintains a miss rate which is close to the miss rate of a conventional i-cache of the same base size, and bounds the downsizing to larger sizes to prevent thrashing and significantly increasing the miss rate. Such a configuration reduces leakage with minimal impact on execution time and dynamic energy. Sense-interval length and divisibility may also affect a DRI i-cache’s ability to adapt to the required i-cache size accurately and timely. While larger divisibility favors applications with drastic changes in i-cache requirements, it makes size transitions more coarse reducing the opportunity to adapt closer to the required size. Similarly, while longer sense-intervals may span multiple application phases reducing opportunity for resizing, shorter intervals may result in higher overhead. Our results indicate sense-interval and divisibility are less critical than miss-bound and size-bound to controlling extra misses (Section 5.6).

3 Gated- V_{dd} : supply-voltage gating

Current technology scaling trends [3] require aggressively scaling down the threshold voltage (V_t) to maintain transistor switching speeds. Unfortunately, *subthreshold leakage* current through transistors increases exponentially with decreasing threshold voltage, resulting in a significant amount of *leakage energy* dissipation at a low threshold voltage.

To prevent the leakage energy dissipation in a DRI i-cache from limiting aggressive threshold-voltage scaling, we use a circuit-level mechanism called *gated- V_{dd}* [19]. Gated- V_{dd} enables a DRI i-cache to effectively turn off the supply voltage and virtually eliminate the leakage in the cache’s unused sections. The key idea is to introduce an extra transistor in the leakage path from the supply voltage to the ground of the cache’s SRAM cells; the extra transistor is turned on in the used and turned off in the unused sections, essentially “gating” the cell’s supply voltage. Gated- V_{dd} maintains the performance advantages of lower supply and threshold voltages while reducing the leakage.

The fundamental reason why gated- V_{dd} achieves significantly lower leakage is that two off transistors connected in series reduce the leakage current by orders of magnitude due to the self reverse-biasing of stacked transistors. This effect is called the *stacking effect* [32]. The gated- V_{dd} transistor connected in series with the SRAM cell transistors produces the stacking effect when the gated- V_{dd} transistor is turned off, resulting in a high reduction in leakage. When the gated- V_{dd} transistor is turned on, the cell is said to be in “active” mode and when turned off, the cell is said to be in “standby” mode.

Figure 2 (a) depicts the anatomy of a conventional 6-T SRAM cell with dual-bitline architecture. On a cache access, the corresponding wordline is activated by the address decode logic, causing the cells to read their values out to the precharged bitlines or to write the values from the bitlines into the cells through the “pass” transistors. The two inverter “cell” transistors (Figure 2

(a)) each have a V_{dd} to Gnd leakage path going through an NMOS or a PMOS transistor connected in series. Depending on the bit value (0 or 1) held in the cell, the PMOS transistor of one and the corresponding NMOS transistor of the other inverter are “off”. Figure 2 (b) shows a DRI i-cache SRAM cell using an NMOS gated- V_{dd} transistor. When the gated- V_{dd} transistor is “off”, it is in series with the “off” transistors of the inverters, producing the stacking effect. The DRI i-cache resizing circuitry keeps the gated- V_{dd} transistors of the used sections turned on and the unused sections turned off.

As in conventional gating techniques, the gated- V_{dd} transistor can be shared among multiple SRAM cells of one or more cache blocks to amortize the area overhead of the extra transistor [19]. Moreover, gated- V_{dd} can be implemented using either an NMOS transistor connected between the SRAM cell and Gnd or a PMOS transistor connected between V_{dd} and the cell [19]. In addition, gated- V_{dd} can be coupled with dual- V_t to achieve even larger reductions in leakage. With dual- V_t , the SRAM cell transistors use low V_t to maintain a high speed while the gated- V_{dd} transistors use high V_t to achieve additional leakage reduction [19].

4 Methodology

We use SimpleScalar-2.0 [6] to simulate an L1 DRI i-cache in the context of an out-of-order microprocessor. Table 1 shows the base configuration for the simulated system. We simulate a 1Ghz processor. We run all of SPEC95 with the exception of two floating-point benchmarks and one integer benchmark (in the interest of reducing simulation turnaround time).

To determine the energy usage of a DRI i-cache, we use geometry and layout information from CACTI [31]. Using Spice information from CACTI to model the 0.18 μ SRAM cells and related capacitances, we determine the leakage energy of a single SRAM cell and the dynamic energy of read and write operations on single rows and columns. We use this information to determine energy dissipation for appropriate cache configurations.

We use a Mentor Graphics IC-Station layout of a single cache line to estimate area. To minimize the area overhead and optimize layout, we implemented the gated- V_{dd} transistor as rows of parallel transistors placed along the length of the SRAM cells where each row is as long as the height of the cells. We obtain the desired gated- V_{dd} transistor width by varying the number of rows

TABLE 1. System configuration parameters.

Instruction issue & decode bandwidth	8 issues per cycle
L1 i-cache/ L1 DRI i-cache	64K, direct-mapped, 1 cycle latency
L1 d-cache	64K, 2-way (LRU), 1 cycle latency
L2 cache	1M, 4-way, unified, 12 cycle latency
Memory access latency	80 cycles + 4cycles per 8 bytes
Reorder buffer size	128
LSQ size	128
Branch predictor	2-level hybrid

of transistors used, and estimate the area overhead accordingly.

All simulations use an aggressively-scaled supply voltage of 1.0V. We estimate cell read time and energy dissipation using Hspice transient analysis. We ensure that the SRAM cells are all initialized to a stable state prior to taking measurements. We compute active and standby mode energy dissipation after the cells reach steady state with the gated- V_{dd} transistor in the appropriate mode. We assume the read time to be the time to lower the bitline to 75% of V_{dd} after the wordline is asserted.

5 Results

In this section, we present experimental results on the energy and performance trade-off of a DRI i-cache as compared to a conventional i-cache. First, we present circuit results corroborating the impact of technology scaling trends on an SRAM cell’s performance and leakage, and evaluate various gated- V_{dd} implementations. Second, we present our energy calculations and discuss the leakage and dynamic energy trade-off of a DRI i-cache. Finally, we present energy savings achieved for the benchmarks, demonstrating a DRI i-cache’s effectiveness in reducing average cache size and energy dissipation, and the impact of a DRI i-cache’s parameters on energy and performance.

5.1 Circuit results

In our previous work [19], we evaluated various gated- V_{dd} schemes and showed that a wide NMOS gated- V_{dd} with dual- V_t and a charge pump [20] offers the best gating configuration, and virtually eliminates the leakage with minimal impact on read time and area overhead. In this section, we summarize our circuit results. Table 2 depicts the leakage energy per cycle (1ns), relative read time, and the area overhead associated with gated- V_{dd} . The leakage energy is measured at a 110C operating temperature. For reference purposes, we also present base SRAM cell results (without gated- V_{dd}) with both low and high V_t .

The Active Leakage Energy and Standby Leakage Energy rows indicate leakage energy dissipated per cycle when the cell is in active and standby mode, respectively. From the first two columns, we see that lowering the cache V_t from 0.4V to 0.2V reduces the read time by over half but increases the leakage energy by more than a factor of 30. From the third column we see that using gated- V_{dd} , the leakage energy can be reduced by 97% in standby mode, confining the leakage to high- V_t levels while maintaining low- V_t speeds. This large reduction in leakage is key to ensuring that unused sections of the cache dissipate exponentially lower leakage energy.

To minimize the area overhead, we share a gated- V_{dd} transistor among the SRAM cells in a cache line [19]. By constructing the gated- V_{dd} transistor such that the transistor width expands along the length of the cache line, only the data array width — and not the height — increases. The total increase in array area due to the addition of the gated- V_{dd} transistor is about 5%.

5.2 Energy calculations

A DRI i-cache decreases leakage energy by gating V_{dd} to cache sections in standby mode but increases both L1 dynamic energy due to the resizing tag bits and L2 dynamic energy due to

extra L1 misses. We compute the energy savings using a DRI i-cache compared to a conventional i-cache using an aggressively-scaled threshold voltage. Therefore,

$$\begin{aligned} \text{energy savings} &= \text{conventional i-cache leakage energy} - \\ &\quad \text{effective L1 DRI i-cache leakage energy} \\ \text{effective L1 DRI i-cache leakage energy} &= \text{L1 leakage energy} + \\ &\quad \text{extra L1 dynamic energy} + \text{extra L2 dynamic energy} \\ \text{L1 leakage energy} &= \text{active portion leakage energy} + \\ &\quad \text{standby portion leakage energy} \\ \text{active portion leakage energy} &= \text{active fraction} \times \\ &\quad \text{conventional i-cache leakage energy} \\ \text{standby portion leakage energy} &\approx 0 \\ \text{extra L1 dynamic energy} &= \text{resizing bits} \times \\ &\quad \text{dynamic energy of 1 bitline per L1 access} \times \text{L1 accesses} \\ \text{extra L2 dynamic energy} &= \text{dynamic energy per L2 access} \times \\ &\quad \text{extra L2 accesses} \end{aligned}$$

The effective L1 leakage energy is the leakage energy dissipated by the DRI i-cache during the course of the application execution. This energy consists of three components. The first component, the L1 leakage energy, is the leakage energy dissipated in the active and standby portions of the DRI i-cache. We compute the active portion’s leakage energy as the leakage energy dissipated by a conventional i-cache in one cycle times a DRI i-cache active portion size (as a fraction of the total size) times the number of cycles. We obtain the average active portion size and the number of cycles from SimpleScalar simulations. Using the low- V_t active cell leakage energy numbers in Table 2, we compute the leakage energy for a conventional i-cache per cycle to be 0.91 nJ. Because the standby mode energy is a factor of 30 smaller than the active mode energy in Table 2, we approximate the standby mode term as zero. Therefore,

$$\text{L1 leakage energy} = \text{active fraction} \times 0.91 \times \text{cycles}$$

The second component is the extra L1 dynamic energy dissipated due to the resizing tag bits during the application execution. We compute this component as the number of resizing tag bits used by the program times the dynamic energy dissipated in one access of one resizing tag bitline in the L1 cache times the number of L1 accesses made in the program. Using CACTI’s Spice files, we estimate the dynamic energy per resizing bitline to be 0.0022 nJ. Therefore,

TABLE 2. Energy, speed, and area trade-off of varying threshold voltage and gated- V_{dd} .

Implementation Technique	base high- V_t	base low- V_t	NMOS gated- V_{dd}
Gated- V_{dd} V_t (V)	N/A	N/A	0.40
SRAM V_t (V)	0.40	0.20	0.20
Relative Read Time	2.22	1.00	1.08
Active Leakage Energy ($\times 10^{-9}$ nJ)	50	1740	1740
Standby Leakage Energy ($\times 10^{-9}$ nJ)	N/A	N/A	53
Energy Savings (%)	N/A	N/A	97
Area Increase (%)	N/A	N/A	5

$$\text{extra L1 dynamic energy} = \text{resizing bits} \times 0.0022 \times \text{L1 accesses}$$

The third component is the extra L2 dynamic energy dissipated in accessing the L2 cache due to the extra L1 misses during the application execution. We compute this component as the dynamic energy dissipated in one access of the L2 cache times the number of extra L2 accesses. We use the calculations for cache access energy in [11] and estimate the dynamic energy per L2 access to be 3.6 nJ. Therefore,

$$\text{extra L2 dynamic energy} = 3.6 \times \text{extra L2 accesses}$$

Using these expressions for L1 leakage energy, extra L1 dynamic energy, and extra L2 dynamic energy, we compute the effective L1 leakage energy and the overall energy savings of a DRI i-cache.

5.2.1 Leakage and dynamic energy trade-off

If the extra L1 and L2 dynamic energy components do not significantly add to L1 leakage energy, a DRI i-cache’s energy savings will not be outweighed by the extra (L1+L2) dynamic energy, as forecasted in Section 2.3. To demonstrate that the components do not significantly add to L1 leakage energy, we compare each of the components to the L1 leakage energy and show that the components are much smaller than the leakage energy.

$$\begin{aligned} \text{extra L1 dynamic energy} / \text{L1 leakage energy} &\approx \\ (\text{resizing bits} \times 0.0022) / (\text{active fraction} \times 0.91) &\approx \\ 0.024 \text{ (if resizing bits} = 5 \text{ and active fraction} = 0.50) & \end{aligned}$$

We compare the extra L1 dynamic energy against the L1 leakage energy by computing their ratio. We simplify the ratio by approximating the number of L1 accesses to be equal to the number of cycles (i.e., an L1 access is made every cycle), and canceling the two in the ratio. If the number of resizing tag bits is 5 (i.e., the size-bound is a factor of 32 smaller than the original size), and the active portion is as small as half the original size, the ratio reduces to 0.024, implying that the extra L1 dynamic energy is about 3% of the L1 leakage energy, under these extreme assumptions. This assertion implies that if a DRI i-cache achieves sizable savings in leakage, the extra L1 dynamic energy will not outweigh the savings.

$$\begin{aligned} \text{extra L2 dynamic energy} / \text{L1 leakage energy} &= \\ (3.6 \times \text{extra L2 accesses}) / (\text{active fraction} \times 0.91 \times \text{cycles}) &\approx \\ (3.95 / \text{active fraction}) \times \text{extra L1 miss rate} &\approx \\ 0.08 \text{ (if active fraction} = 0.50 \text{ and extra L1 miss rate} = 0.01) & \end{aligned}$$

Now we compare the extra L2 dynamic energy against the L1 leakage energy by computing their ratio. As, before, we simplify this ratio by approximating the number of cycles to be equal to the total number of L1 accesses, which allows us to express the ratio as a function of the *absolute* increase in the L1 miss rate (i.e., number of extra L1 misses divided by the total number of L1 accesses). If the active portion is as small as half the original size, and the absolute increase in L1 miss rate is as high as 1% (e.g., L1 miss rate increases from 5% to 6%), the ratio reduces to 0.08, implying that the extra L2 dynamic energy is about 8% of the L1 leakage energy, under these extreme assumptions. This assertion implies that if a DRI i-cache achieves sizable savings in leakage, the extra L2 dynamic energy will not outweigh the savings.

5.3 Overall energy savings and performance

In this section, we present the overall energy savings achieved by a DRI i-cache. Unless stated otherwise, all the measurements in this section use a sense-interval of one million instructions and a divisibility of two. To prevent repeated resizing between two adjacent sizes (Section 2.1), we use a 3-bit saturating counter to trigger throttling and prevent downsizing for a period of ten sense-intervals.

Because a DRI i-cache’s energy dissipation mainly depends on the miss-bound and size-bound, we show the best-case energy savings achieved under various combinations of these parameters. We determine the best case via simulation by empirically searching the combination space. Each benchmark’s level of sensitivity to parameter values is different, requiring different settings to determine the best-case energy-delay. Most benchmarks, however, exhibit low miss rates in the conventional i-cache, and therefore tolerate miss-bounds that are one to two orders of magnitude higher than the conventional i-cache miss rates.

We present the energy-delay product because it ensures that both reduction in energy and the accompanying degradation in performance are taken into consideration together, and not separately. We present results on two design points. Our “performance-constrained” measurements focus on a DRI i-cache’s ability to save energy with minimal impact on performance. Therefore, these measurements search for the best-case energy-delay while limiting the performance degradation to under 4% as compared to a conventional i-cache using an aggressively-scaled threshold voltage. The “performance-unconstrained” measurements simply search for the best-case energy-delay without limiting the performance degradation. We include performance-unconstrained measurements to show the best possible energy-delay, although the performance-unconstrained case sometimes amounts to prohibitively high performance degradation. We compute the energy-delay product by multiplying the effective DRI i-cache leakage energy numbers from Section 5.2 with the execution time.

Figure 3 shows our base energy-delay product and average cache size measurements normalized with respect to the conventional i-cache. The figure depicts measurements for both performance-constrained (left bars) and performance-unconstrained (right bars) cases. The left graph depicts the normalized energy-delay products. The graph shows the percentage increase in execution time relative to a conventional i-cache above the bars whenever performance degradation is more than 4% for the performance-unconstrained measurements. In the graph, the stacked bars show the breakdown between the leakage and the dynamic component due to the extra dynamic energy. The right graph shows the DRI i-cache size averaged over the benchmark execution time, as a fraction of the conventional i-cache size. We show the miss rates under the performance-unconstrained case above the bars whenever the miss rates are higher than 1%.

From the left graph, we see that a DRI i-cache achieves large reductions in the energy-delay product as performance degradation is constrained, demonstrating the effectiveness of our adaptive resizing scheme. The reduction ranges from as much as 80% for *applu*, *compress*, *jpeg*, and *mgrid*, to 60% for *apsi*, *hydro2d*,

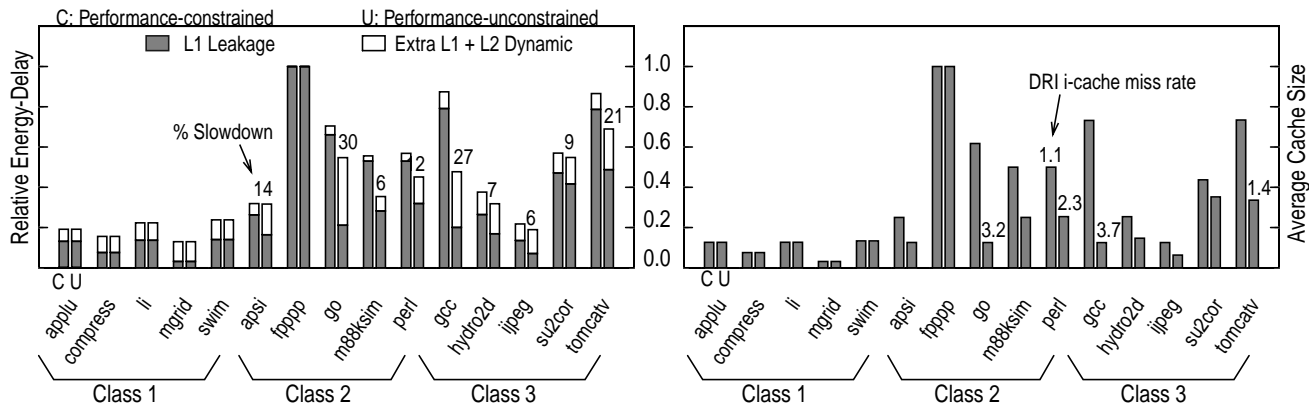


FIGURE 3. Base energy-delay and average cache size measurements.

li, and *swim*, 40% for *m88ksim*, *perl*, and *su2cor*, and 10% for *gcc*, *go*, and *tomcatv*. In *fpppp* the 64K i-cache is fully-utilized preventing the cache from resizing and reducing the energy-delay. The energy-delay products’ dynamic component is small for all the benchmarks, indicating that both the extra L1 dynamic energy due to resizing bits is small and the extra L2 accesses are few, as discussed in Section 2.3.

There are only a few benchmarks (*gcc*, *go*, *m88ksim*, and *tomcatv*) which exhibit a significantly lower energy-delay under the performance-unconstrained scenario. For all these benchmarks, performance of the performance-unconstrained case is considerably worse than that of the conventional i-cache (e.g., *gcc* by 27%, *go* by 30%, *tomcatv* by 21%), indicating that the lower energy-delay product is achieved at the cost of lower performance.

From the right graph, we see that the average DRI i-cache size is significantly smaller than the conventional i-cache and the i-cache requirements largely vary across benchmarks. The average cache size reduction ranges from as much as 80% for *applu*, *compress*, *jpeg*, *li*, and *mgrid*, to 60% for *m88ksim*, *perl*, and *su2cor*, and 20% for *gcc*, *go*, and *tomcatv*.

The conventional i-cache miss rate (not shown) is less than 1% for all the benchmarks (highest being 0.7% for *perl*). The DRI i-cache miss rates are also all below 1%, except for *perl* at 1.1%, for the performance-constrained case. It follows that the absolute difference between DRI and conventional i-cache miss rates is less than 1%, well within the bounds necessary to keep the extra dynamic component low (computed in Section 5.2).

A DRI i-cache’s simple adaptive scheme enables the cache to downsize while keeping a tight control over the miss rate and the extra L2 dynamic energy. Our miss rate measurements (not shown) for the performance-constrained experiments, where miss rate control is key, indicate that the largest absolute difference between the effective DRI i-cache miss rate and the miss-bound is 0.004 for *gcc*.

To understand the average i-cache size requirements better, we categorize the benchmarks into three classes. Benchmarks in the first class primarily require a small i-cache throughout their execution. They mostly execute tight loops allowing a DRI i-cache to stay at the size-bound, causing the performance-constrained and performance-unconstrained cases to match. *Applu*,

compress, *li*, *mgrid* and *swim* fall in this class, and primarily stay at the minimum size allowed by the size-bound. The dynamic component is a large fraction of the DRI i-cache energy in these benchmarks because much of the L1 leakage energy is eliminated through size reduction and a large number of resizing tag bits are used to allow a small size-bound.

The second class consists of the benchmarks that primarily require a large i-cache throughout their execution and do not benefit much from downsizing. *Apsi*, *fpppp*, *go*, *m88ksim* and *perl* fall under this class, and *fpppp* is an extreme example of this class. If these benchmarks are encouraged to downsize via high miss-bound, they incur a large number of extra L1 misses, resulting in a significant performance loss. Consequently, the performance-constrained case uses a small number of resizing tag bits, forcing the size-bound to be reasonably large. *Fpppp* requires the full-sized i-cache, so reducing the size dramatically increases the miss rate, canceling out any leakage energy savings for this benchmark. Therefore, we disallow the cache from downsizing for *fpppp* by setting the size-bound to 64K. In the rest of the benchmarks, when performance is constrained, the dynamic energy overhead is much less than the leakage energy savings, allowing the cache to benefit from downsizing.

The last class of benchmarks exhibit distinct phases with diverse i-cache size requirements. *Gcc*, *hydro2d*, *jpeg*, *su2cor* and *tomcatv* belong to this class of benchmarks. A DRI i-cache’s effectiveness to adapt to the required i-cache size is dependent on its ability to detect the program phase transitions and resize appropriately. *Hydro2d* and *jpeg* both have relatively clear phase transitions. After the initialization phase requiring the full size of i-cache, these benchmarks consists mainly of small loops requiring only 2K of i-cache. Therefore, a DRI i-cache adapts to the phases of *hydro2d* and *jpeg* well, achieving small average sizes with little performance loss. The phase transitions in *gcc*, *su2cor* and *tomcatv* are not as clearly defined, resulting in a DRI i-cache not adapting as well as it did for *hydro2d* or *jpeg*. Consequently, these benchmarks’ average sizes under both the performance-constrained and performance-unconstrained cases are relatively large.

5.4 Effect of miss-bound and size-bound

In this section, we present the effect of varying the miss-bound and size-bound on the energy-delay product. The miss-

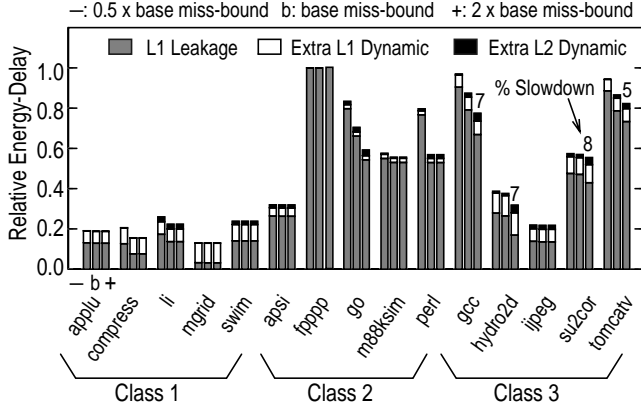


FIGURE 4. Impact of varying the miss-bound.

bound and size-bound are key parameters which determine the L2 and extra L1 dynamic energy, respectively. From this section onwards, we focus on the performance-constrained measurements and present only the relative energy-delay and not the average cache size graphs. However, average cache size can be inferred from the leakage component of the relative energy-delay because leakage energy is proportional to average cache size and the increase in delay is limited to 4% by the constraint.

5.4.1 Impact of varying miss-bound

Figure 4 shows the results for varying the miss-bound to half and double the miss-bound for the base performance-constrained measurements, while keeping the size-bound the same. The graph shows the effective energy-delay product normalized to the conventional i-cache leakage energy-delay, together with the percentage performance degradation for those cases which are higher than 4%.

The energy-delay graph shows that despite varying the miss-bound over a factor of four range (i.e., from 0.5x to 2x), most of the energy-delay products do not change significantly. Even when the miss-bound is doubled, the L1 miss rates stay within 1% and the extra L2 dynamic energy-delay does not increase much for most of the benchmarks. Therefore, our adaptive scheme is fairly robust with respect to a reasonable range of miss-bounds. The exceptions are *gcc*, *go*, *perl*, and *tomcatv*, which need large i-caches but allow for more downsizing under higher miss-bounds. The DRI i-cache does not readily identify phase transitions in these benchmarks. These benchmarks achieve average i-cache sizes smaller than those of the base case, but incur between 5%-8% performance degradation compared to the conventional i-cache.

5.4.2 Impact of varying size-bound

Figure 5 shows the results for varying the size-bound to double and half the size-bound for the base performance-constrained measurements, while keeping the miss-bound the same. *Fpppp*'s base size-bound is 64K, and therefore there is no measurement corresponding to double the size-bound for *fpppp*. The graph shows the effective energy-delay product normalized to the conventional i-cache leakage energy-delay and also the percentage slowdown for the cases which are higher than 4%.

The graph shows that a smaller size-bound results in a larger

reduction in the average cache size, but the effect on the energy-delay varies depending on the benchmark class. The first class of benchmarks incur little performance degradation with the base size-bound because the benchmarks' i-cache requirements are small. Throughout the benchmarks' execution, a DRI i-cache stays at the minimum size allowed by the size-bound. Therefore, doubling the size-bound simply increases the energy-delay and halving it increases the extra L2 dynamic energy, which worsens the energy-delay.

Decreasing the size-bound for the second class encourages downsizing at the cost of a lower performance due the benchmarks' large i-cache requirements. For the third class of benchmarks, the extra L1 dynamic energy incurred by decreasing the size-bound outstrips the leakage energy savings, resulting in an increase in energy-delay. *Fpppp*'s results for a 32K size-bound indicate that a poor choice of parameters may result in unnecessary resizing and actually increase the energy-delay beyond that of a conventional i-cache.

5.5 Effect of conventional cache parameters

In this section, we investigate the impact of conventional cache parameters, size and associativity, on a DRI i-cache. Figure 6 displays the results for a 64K 4-way associative DRI i-cache, a 64K direct-mapped DRI i-cache (as in Section 5.3), and a 128K direct-mapped DRI i-cache, shown from left to right. The miss-bound and size-bound are set to those for the base performance-constrained measurements for a 64K direct-mapped cache. The 128K direct-mapped cache uses one more resizing tag bit so that its size-bound is the same as that of the 64K direct-mapped cache. Energy-delay and performance degradation shown in the figure are all relative to a conventional i-cache of equivalent size and associativity.

Applu, *apsi*, *compress*, *fpppp*, *jpeg*, *li*, and *mgrid* have instruction footprints that are capacity-bound and do not benefit from added associativity. Therefore, the direct-mapped DRI i-cache achieves the same average size as the 4-way associative DRI i-cache, resulting in identical energy-delay products. *Gcc*, *go*, *hydro2d*, *su2cor*, *swim* and *tomcatv*, exhibit conflict misses in the direct-mapped DRI i-cache, allowing the 4-way cache an opportunity to absorb some of the conflict misses and achieve a smaller average size and lower energy-delay. Using the same miss-bound for the 4-way cache as the base direct-mapped cache encourages extra misses in the 4-way DRI i-cache as compared to a conventional 4-way conventional i-cache. Consequently, for *gcc*, *hydro2d*, and *tomcatv*, the smaller average size comes at the cost of performance degradation beyond 4%.

Increasing the base cache size gives higher savings in energy-delay, because a larger fraction of the cache is in standby mode. In all cases, except for *fpppp* and *gcc*, the 128K cache is downsized to the same absolute magnitude as the 64K cache. The magnitude expressed as a fraction of the base 128K cache, however, is half that for a base 64K cache. *Fpppp*'s and *gcc*'s working set sizes are larger than 64K and so the 128K cache does not always downsize to 64K in those applications, preventing the 128K cache's average cache size as a fraction from reducing to half of that for the 64K cache. The base 64K cache miss-bound is too high for a 128K cache in *perl*, *gcc*, and *hydro2d*, resulting in

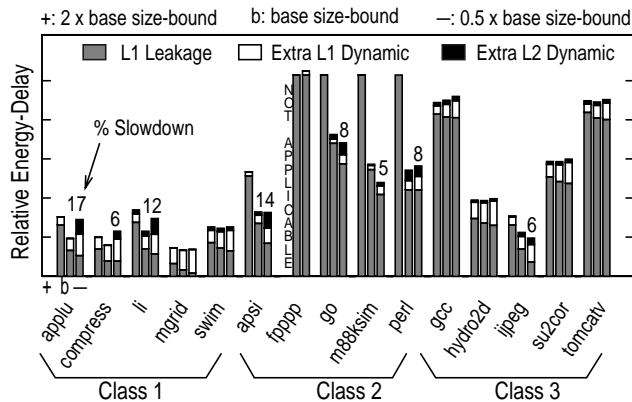


FIGURE 5. Impact of varying the size-bound.

relatively more L1 misses and the corresponding higher extra L2 dynamic energy and performance degradation in the 128K cache.

5.6 Varying sense-interval length and divisibility

In this section, we discuss our measurements varying the sense-interval length and divisibility. Ideally, we want the sense-interval length to correspond to program phases, allowing the cache to resize before entering a new phase. Our experiments show that a DRI i-cache is highly robust to the interval length for the benchmarks we studied. When varying the interval length from 250K to 4M i-cache accesses, the energy-delay product varies by less than 1% in all but one benchmark, and less than 5% in *go* due to its irregular phase transitions.

A large divisibility reduces the switching overhead in applications with frequent switching between two extreme i-cache sizes. Our experiments indicate that for all the benchmarks, a divisibility of four or eight (i.e., a factor of four or eight change in size) prohibitively increases the resizing granularity preventing the cache from assuming a size close to the required size, offsetting the gains from reduced switching overhead.

6 Related work

There are a number of previous studies that have focused on circuit-level only techniques to reduce leakage power. Techniques such as multi-threshold [30,25,17] or multi-supply [27] voltage designs, dynamic-threshold [29] or dynamic-supply [5] voltage designs, and transistor stacking [32], have been used to reduce leakage energy dissipation while maintaining high performance. However, circuit-level techniques that apply leakage reduction ignore application/architectural behavior and circuit utilization. Moreover, circuit-level techniques often trade off performance for energy. Instead, we propose an integrated architectural and circuit-level approach to maximize opportunity for leakage reduction with minimal impact on performance.

There are a number of previous studies focusing on reducing switching power and energy dissipation in processors. Some of these techniques have targeted reducing energy dissipation in the processor pipeline through gating [14], operand reduction [4], and instruction scheduling [26]. Others have targeted reducing energy dissipation in memory hierarchy [16,1,12,24,2,13]. All of these techniques target reducing switching rather than leakage energy

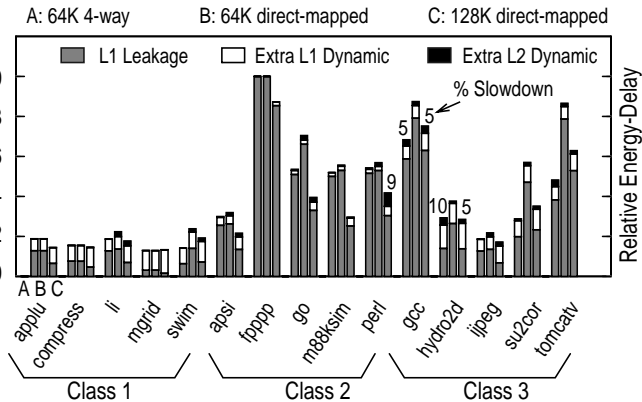


FIGURE 6. Varying conventional cache parameters.

dissipation in caches. Rather than resizing the cache, many of these techniques propose using energy-efficient structures to capture small program working sets and filter references to caches.

There are two previous proposals for cache resizing by varying set-associativity. One proposes resizing to reduce switching energy [1] and the other uses resizing to store instruction reuse information to improve performance [21]. Both proposals use static rather than dynamic resizing and fix the cache size once prior to application execution. DRI i-cache proposes varying the number of cache sets and resizes dynamically both within and across application execution.

7 Conclusions

This paper explored an integrated architectural and circuit-level approach to reducing leakage energy dissipation in deep-submicron cache memories while maintaining high performance. The key observation in this paper is that the demand on cache memory capacity varies both within and across applications. Modern caches, however, are designed to meet the worst-case application demand, resulting in poor utilization and consequently high energy inefficiency in on-chip caches. We introduced a novel cache called the Dynamically Resizable i-cache (DRI i-cache) that dynamically reacts to application demand and adapts to the required cache size during an application's execution. At the circuit-level, the DRI i-cache employs gated-Vdd to virtually eliminate leakage in the cache's unused sections.

We evaluated the energy savings and the energy performance trade-off of a DRI i-cache and presented architectural and circuit-level simulation results. Our results indicated that: (i) There is a large variability in L1 i-cache utilization both within and across applications. A DRI i-cache effectively exploits this variability and significantly reduces the average size; (ii) A DRI i-cache effectively integrates architectural and the gated-Vdd circuit techniques to reduce leakage in an L1 i-cache. A DRI i-cache reduces the leakage energy-delay product by 62% with performance degradation within 4%, and by 67% with higher performance degradation; (iii) Our adaptive scheme gives a DRI i-cache tight control over the miss rate to keep it close to a preset value, enabling the DRI i-cache to contain both the performance degradation and the increase in lower cache levels' energy dissipation. Moreover, the scheme is robust and performs predictably without drastic reac-

tions to varying the adaptivity parameters; (iv) Because higher set-associativities encourage more downsizing, and larger sizes imply larger relative size reduction, DRI i-caches achieve even better energy-delay products with higher set-associativity and larger size.

Acknowledgements

This research is supported in part by SRC under contract 2000-HJ-768. This material is also based upon work supported under a National Science Foundation Graduate Fellowship. We would like to thank Shekhar Borkar, Vivek De, Ali Keshavarzi, and Faith Hamzaoglu for information on leakage trends in cache hierarchies in emerging deep-submicron technologies.

References

- [1] D. H. Albonesi. Selective cache ways: On-demand cache resource allocation. In *Proceedings of the 32nd Annual IEEE/ACM International Symposium on Microarchitecture (MICRO 32)*, pages 248–259, Nov. 1999.
- [2] N. Bellas, I. Hajj, and C. Polychronopoulos. Using dynamic management techniques to reduce energy in high-performance processors. In *Proceedings of the 1999 International Symposium on Low Power Electronics and Design (ISLPED)*, pages 64–69, Aug. 1999.
- [3] S. Borkar. Design challenges of technology scaling. *IEEE Micro*, 19(4):23–29, July 1999.
- [4] D. Brooks and M. Martonosi. Dynamically exploiting narrow width operands to improve processor power and performance. In *Proceedings of the Fifth IEEE Symposium on High-Performance Computer Architecture*, Jan. 1999.
- [5] T. Burd and R. Brodersen. Design issues for dynamic voltage scaling. In *Proceedings of the 2000 International Symposium on Low Power Electronics and Design (ISLPED)*, July 2000.
- [6] D. Burger and T. M. Austin. The SimpleScalar tool set, version 2.0. Technical Report 1342, Computer Sciences Department, University of Wisconsin–Madison, June 1997.
- [7] B. Davari, R. Dennard, and G. Shahidi. CMOS scaling for high performance and low power—the next ten years. *Proceedings of the IEEE*, 83(4):595, June 1995.
- [8] V. De. Private communication.
- [9] I. Fukushi, R. Sasagawa, M. Hamaminato, T. Izawa, and S. Kawashima. A low-power SRAM using improved charge transfer sense. In *Proceedings of the 1998 International Symposium on VLSI Circuits*, pages 142–145, 1998.
- [10] F. Hamzaoglu, Y. Ye, A. Keshavarzi, K. Zhang, S. Narendra, S. Borkar, M. Stan, and V. De. Dual-Vt SRAM cells with full-swing single-ended bit line sensing for high-performance on-chip cache in 0.13um technology generation. In *Proceedings of the 2000 International Symposium on Low Power Electronics and Design (ISLPED)*, July 2000.
- [11] M. B. Kamble and K. Ghose. Analytical energy dissipation models for low power caches. In *Proceedings of the 1997 International Symposium on Low Power Electronics and Design (ISLPED)*, Aug. 1997.
- [12] J. Kin, M. Gupta, and W. H. Mangione-Smith. The filter cache: An energy efficient memory structure. In *Proceedings of the 30th Annual IEEE/ACM International Symposium on Microarchitecture (MICRO 30)*, pages 184–193, Dec. 1997.
- [13] U. Ko, P. T. Balsara, and A. K. Nanda. Energy optimization of multilevel cache architectures for risc and cisc processors. In *Proceedings of the 1998 International Symposium on Low Power Electronics and Design (ISLPED)*, 1998.
- [14] S. Manne, A. Klausner, and D. Grunwald. Pipeline gating: Speculation control for energy reduction. In *Proceedings of the 25th Annual International Symposium on Computer Architecture*, pages 132–141, June 1998.
- [15] J. Montanaro, R. T. Witek, K. Anne, A. J. Black, E. M. Cooper, D. W. Dobberpuhl, P. M. Donahue, J. Eno, G. W. Hoepfner, D. Kruckemyer, T. H. Lee, P. C. M. Lin, L. Madden, D. Murray, M. H. Pearce, S. Santhanam, K. J. Snyder, R. Stephany, and S. C. Thierauf. A 160-MHz, 32-b, 0.5- μ m CMOS RISC microprocessor. *IEEE Journal of Solid-State Circuits*, 31(11):1703–1714, 1996.
- [16] A. Moshovos, G. Memik, B. Falsafi, and A. Choudhary. JETTY: Filtering snoops for reduced power consumption in SMP servers. In *Proceedings of the Seventh IEEE Symposium on High-Performance Computer Architecture*, Jan. 2001.
- [17] S. Mutoh, T. Douskei, Y. Matsuya, T. Aoki, S. Shigematsu, and J. Yamada. 1-V power supply high-speed digital circuit technology with multithreshold-voltage CMOS. *IEEE Journal of Solid-State Circuits*, 30(8):847–854, 1995.
- [18] J.-K. Peir, Y. Lee, and W. W. Hsu. Capturing dynamic memory reference behavior with adaptive cache topology. In *Proceedings of the Eighth International Conference on Architectural Support for Programming Languages and Operating Systems (ASPLOS VIII)*, pages 240–250, Oct. 1998.
- [19] M. D. Powell, S.-H. Yang, B. Falsafi, K. Roy, and T. N. Vijaykumar. Gated-Vdd: A circuit technique to reduce leakage in cache memories. In *Proceedings of the 2000 International Symposium on Low Power Electronics and Design (ISLPED)*, pages 90–95, July 2000.
- [20] J. M. Rabaey. *Digital Integrated Circuits*. Prentice Hall, 1996.
- [21] P. Ranganathan, S. Adve, and N. P. Jouppi. Reconfigurable caches and their application to media processing. In *Proceedings of the 27th Annual International Symposium on Computer Architecture*, pages 214–224, June 2000.
- [22] Semiconductor Industry Association. The International Technology Roadmap for Semiconductors (ITRS). <http://www.semi-chips.org>, 1999.
- [23] D. Singh and V. Tiwari. Power challenges in the internet world. Cool Chips Tutorial in conjunction with the 32nd Annual International Symposium on Microarchitecture, November 1999.
- [24] C.-L. Su and A. M. Despain. Cache design trade-offs for power and performance optimization: A case study. In *Proceedings of the 1995 International Symposium on Low Power Electronics and Design (ISLPED)*, pages 63–68, 1995.
- [25] L. Su, R. Schulz, J. Adkisson, K. Byer, G. Biery, W. Cote, E. Crabb, D. Edelstein, J. Ellis-Monaghan, E. Eld, D. Foster, R. Gehres, and et. al. A high performance sub-0.25um CMOS technology with multiple thresholds and copper interconnects. In *IEEE Symposium on VLSI Technology*, 1998.
- [26] M. C. Toburen, T. M. Conte, and M. Reilly. Instruction scheduling for low power dissipation in high performance microprocessors. In *Proceedings of the Power Driven Microarchitecture Workshop*, June 1998.
- [27] K. Usami and M. Horowitz. Design methodology of ultra low-power mpeg4 codec core exploiting voltage scaling techniques. In *Proceedings of the 35th Design Automation Conference*, pages 483–488, 1998.
- [28] L. Wei, Z. Chen, M. Johnson, K. Roy, and V. De. Design and optimization of low voltage high performance dual threshold CMOS circuits. In *Proceedings of the 35th Design Automation Conference*, pages 489–494, 1998.
- [29] L. Wei, Z. Chen, and K. Roy. Double gate dynamic threshold voltages (DGDT) SOI MOSFETs for low power high performance designs. In *IEEE International SOI Conference*, pages 82–83, 1997.
- [30] L. Wei and K. Roy. Design and optimization for low-leakage with multiple threshold CMOS. In *IEEE Workshop on Power and Timing Modeling*, pages 3–7, Oct. 1998.
- [31] S. J. E. Wilson and N. P. Jouppi. An enhanced access and cycle time model for on-chip caches. Technical Report 93/5, Digital Equipment Corporation, Western Research Laboratory, July 1994.
- [32] Y. Ye, S. Borkar, and V. De. A new technique for standby leakage reduction in high performance circuits. In *IEEE Symposium on VLSI Circuits*, pages 40–41, 1998.